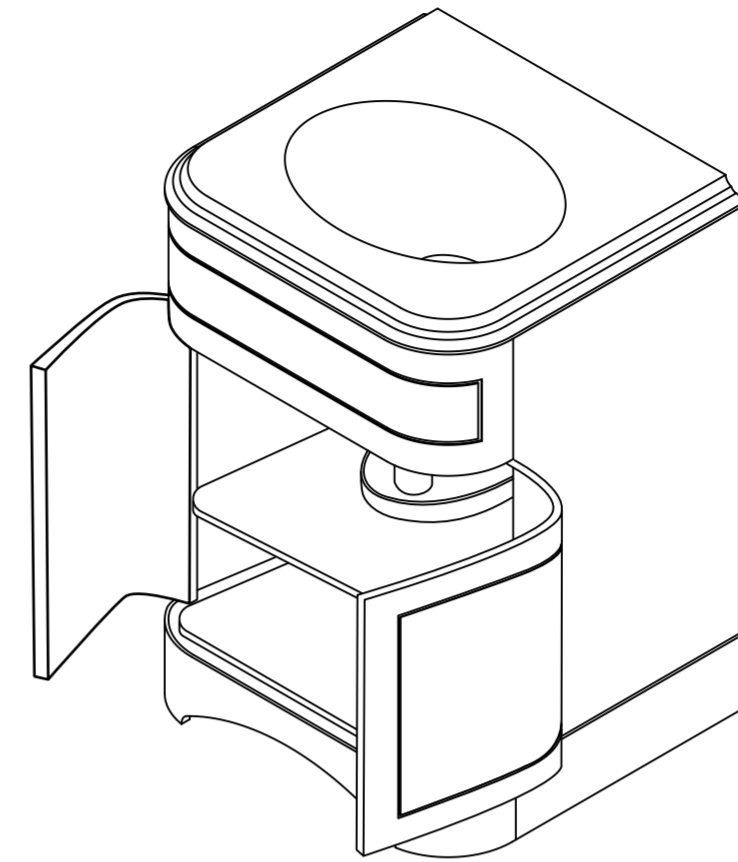
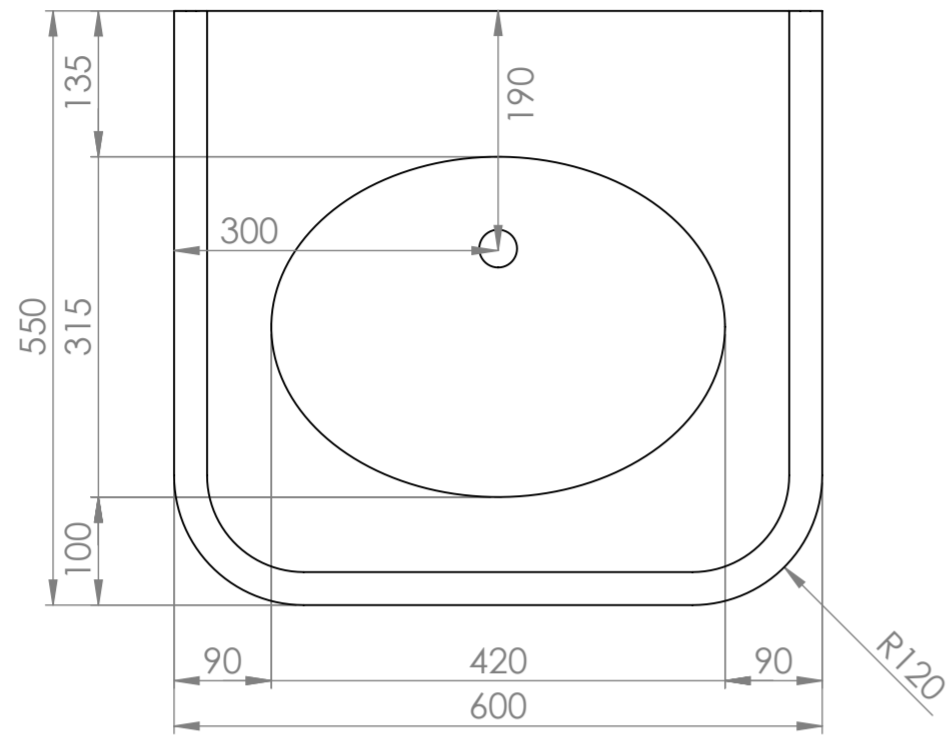
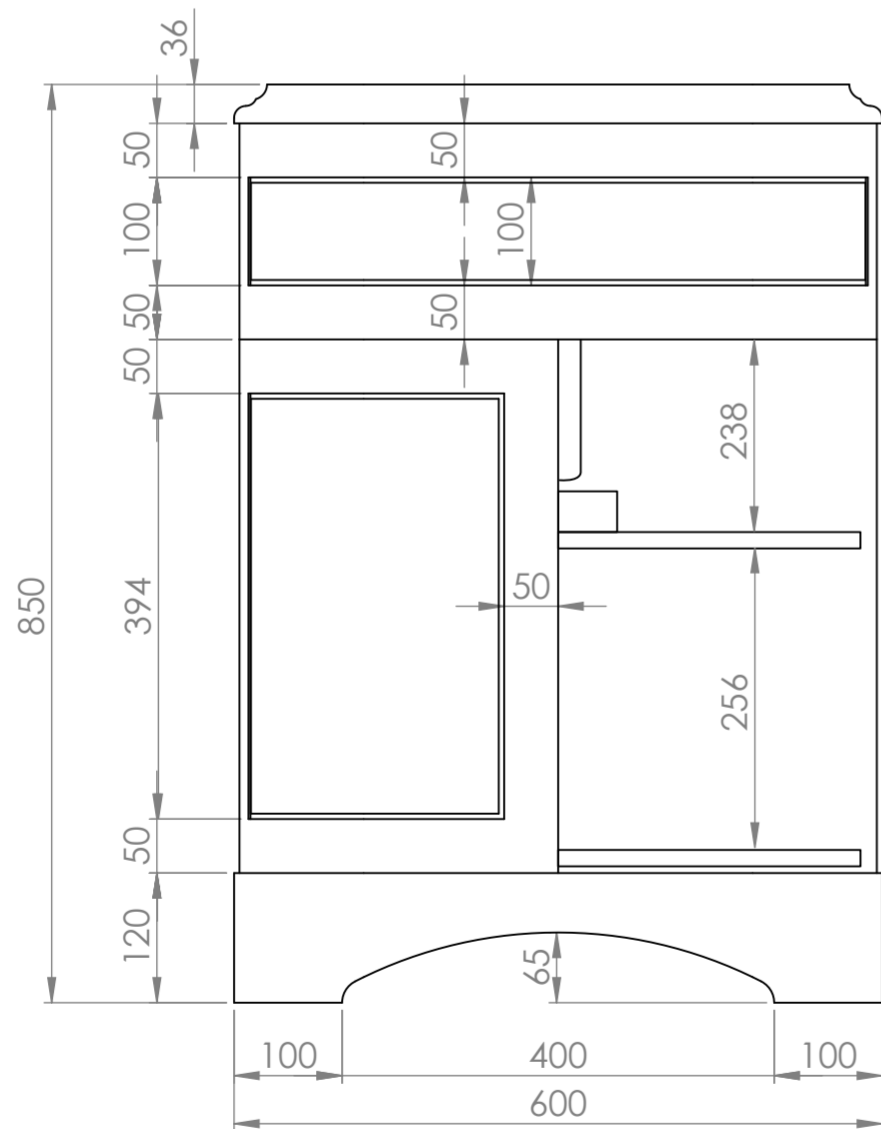


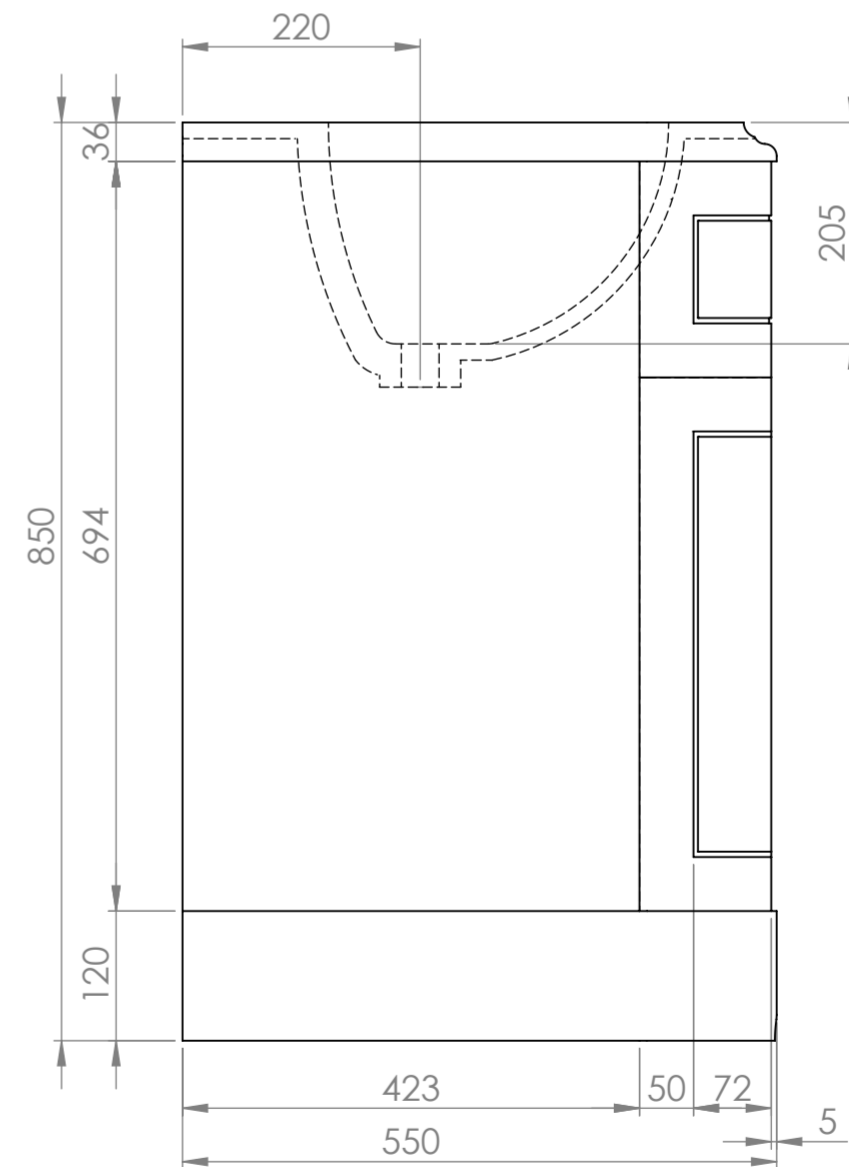
Top View



Front View



Side View



**LUSO**

Product Name	Connaught
Size, mm	600 x 550 x 850

All dimensions provided in millimeters.  
All vanity units are supplied with no tap hole (s). If you require a tap hole, you will need to use a standard 38mm hole-saw drill attachment.