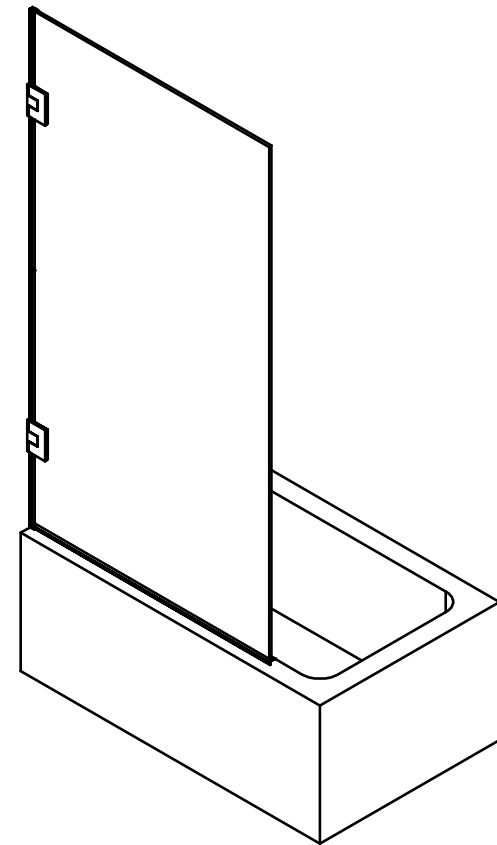


LUSSO

**CABINA FRAMELESS HINGED BATH
SHOWER SCREEN 800 (YP370)**
Installation & Maintenance Guide



Customer Care: 0203 370 4057 (Option 2)
International: +44 203 370 4057 (Option 2)

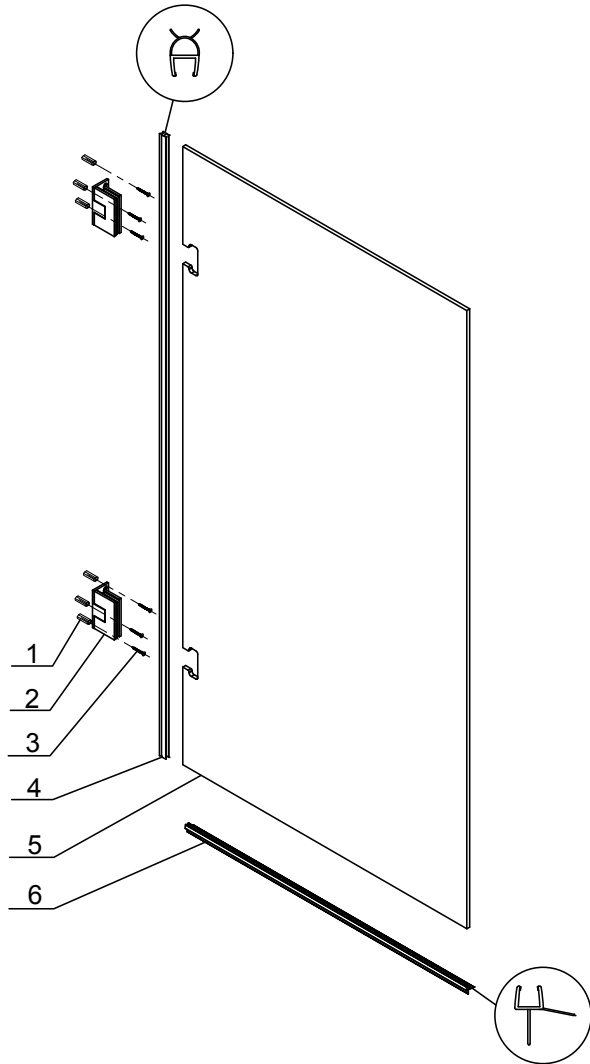
**PLEASE RETAIN THIS MANUAL
FOR FUTURE USE**





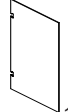

YP370

IMPORTANT INFORMATION

Please follow the instructions provided within this guide, as any damage caused by improper installation, use, or maintenance will void your warranty.

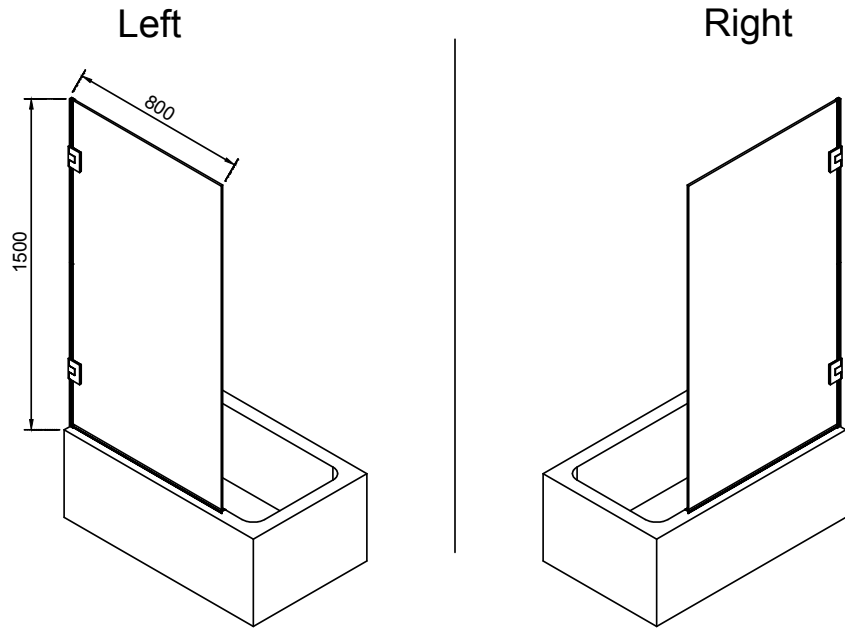
- Do not use acid cleansers
- Do not use abrasive cleansers
- Do not use abrasive cloths

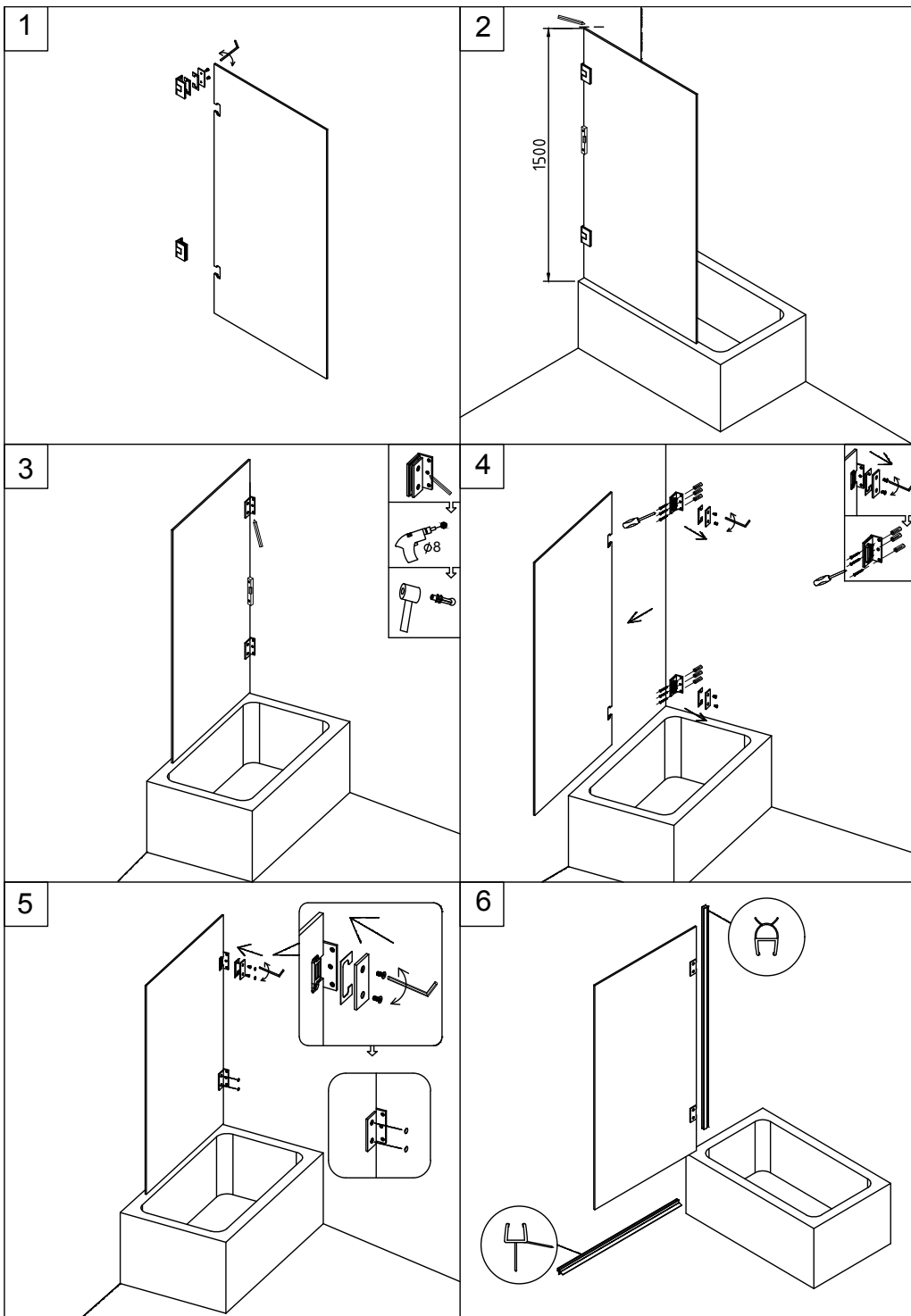


Accessories					
1. Wall Plug	2. Hinges	3. Screws	4. Door Vertical Seal	5. Glass Door	6. Door Bottom Seal
					
6 pieces	2 pieces	6 pieces	1 piece	1 piece	1 piece

MAINTENANCE INSTRUCTIONS

- To clean the screen, rinse with water or glass cleaner and wipe dry with a soft cloth.
- To remove surface marks, use a non-abrasive, neutral cleansing solution without coarse-grained powder.
- Avoid any contact with acidic and/or abrasive cleaning solutions and cloths.





INSTALLATION INFORMATION

1. Install the two hinges to the glass door and use the provided Allen key to tighten (please refer to figure 1).
2. Vertically install the glass door onto the bathtub and use a spirit level to ensure that it is vertically aligned. With a pencil, mark the position of the glass door on the wall.
3. **A.** Mark the required drill holes of the hinges on the wall with a pencil.
B. Move the glass door aside, and use an 8mm drill bit to drill the holes.
C. Using a rubber mallet, gently tap the wall plugs into the drilled holes until they're flush with the wall.
4. **A.** Remove the two hinges from the glass door with the provided Allen key.
B. Fix the two hinges over the wall plugs and install the provided screws with a screwdriver.
5. Install the glass door onto the hinges, and fix them into position using the provided screws and Allen key (as shown in figure 5). Ensure that the gaskets are fixed on, and fit the decorative caps onto the screws.
6. Fit the door vertical seal and door bottom seal to the glass door. (Please refer to figure 6 for the position of both seals.)