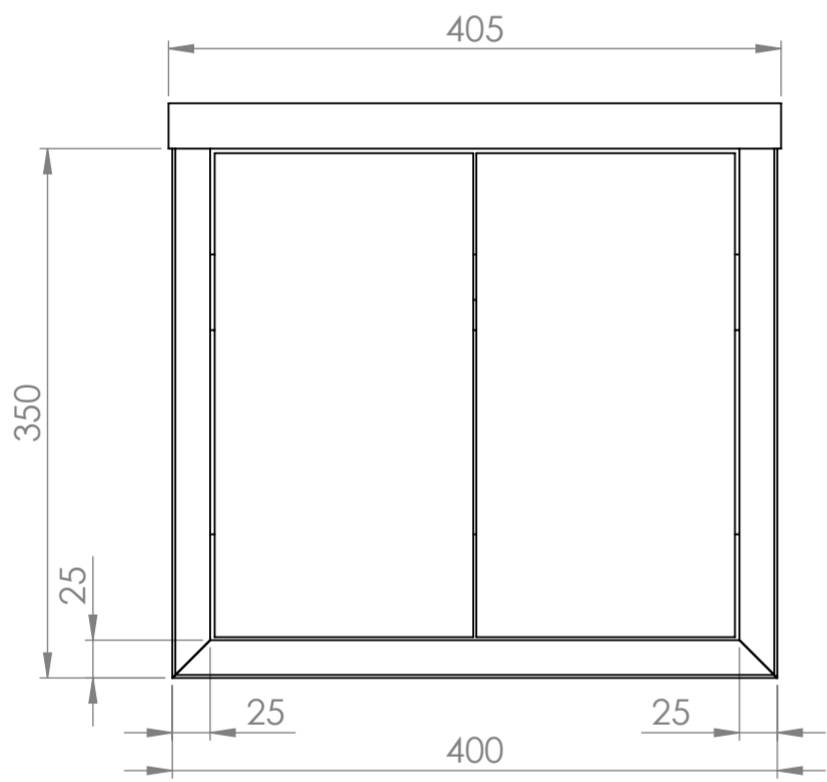
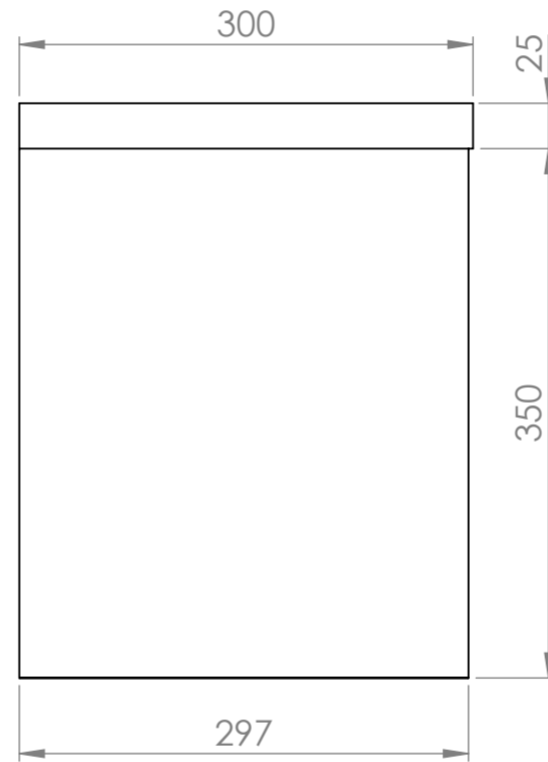


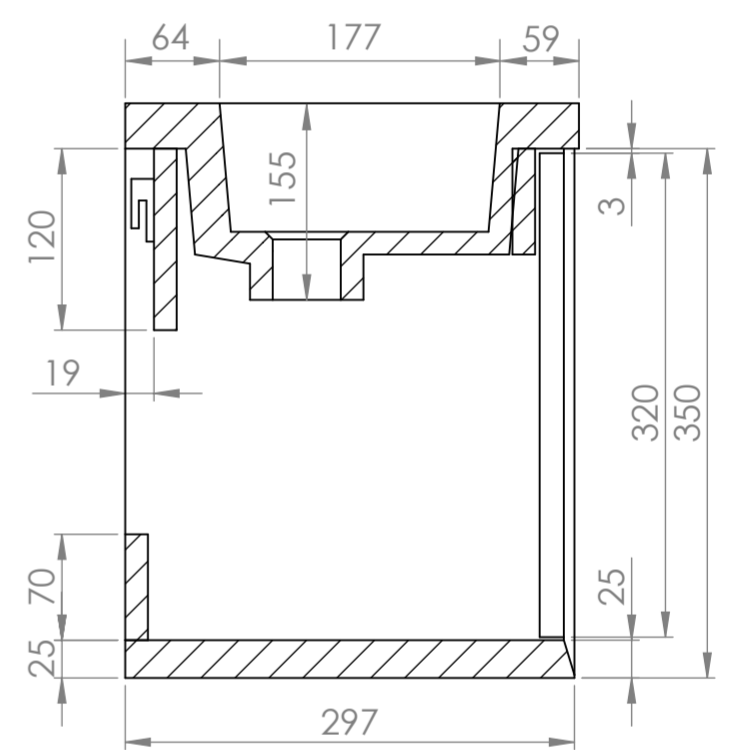
Front View



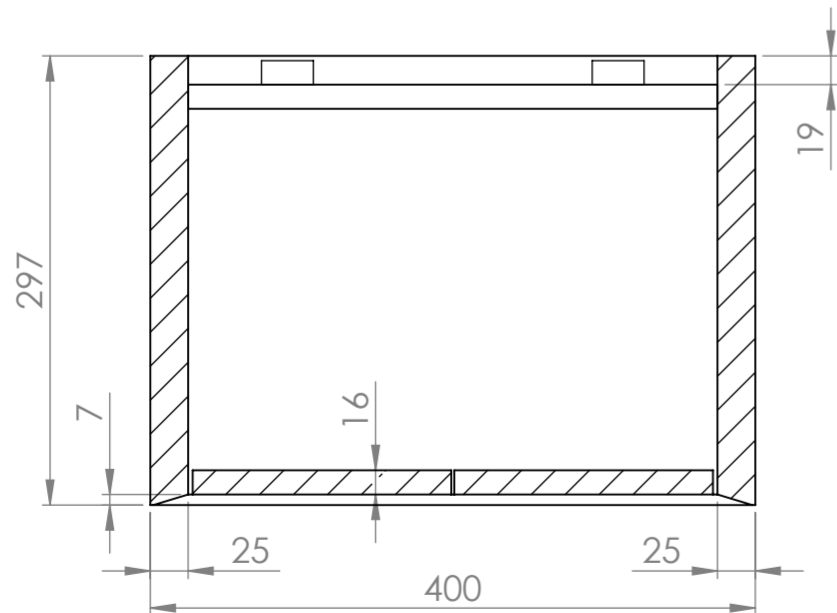
Side View



Side View - Section View



Top View - Section View



LUSO

Product Name	Volini Mini 400
Size, mm	405 x 300 x 375

All dimensions provided in millimeters.
 All vanity units are supplied with no tap hole (s). If you require a tap hole, you will need to use a standard 38mm hole-saw drill attachment.