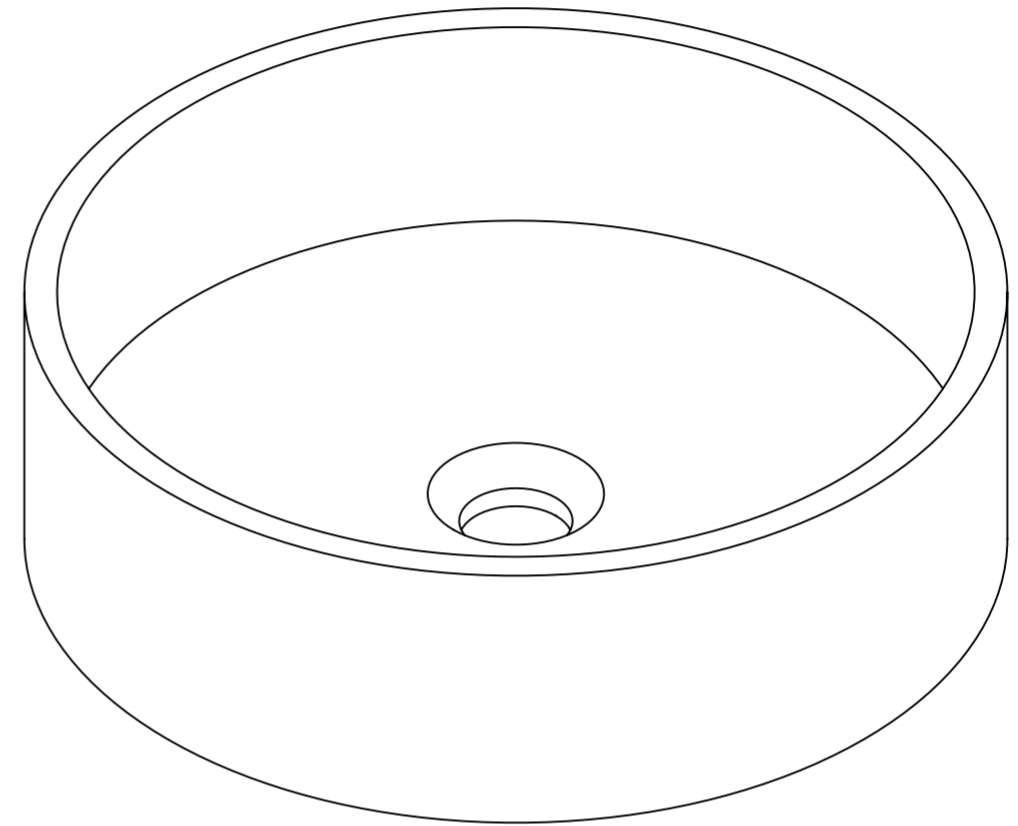
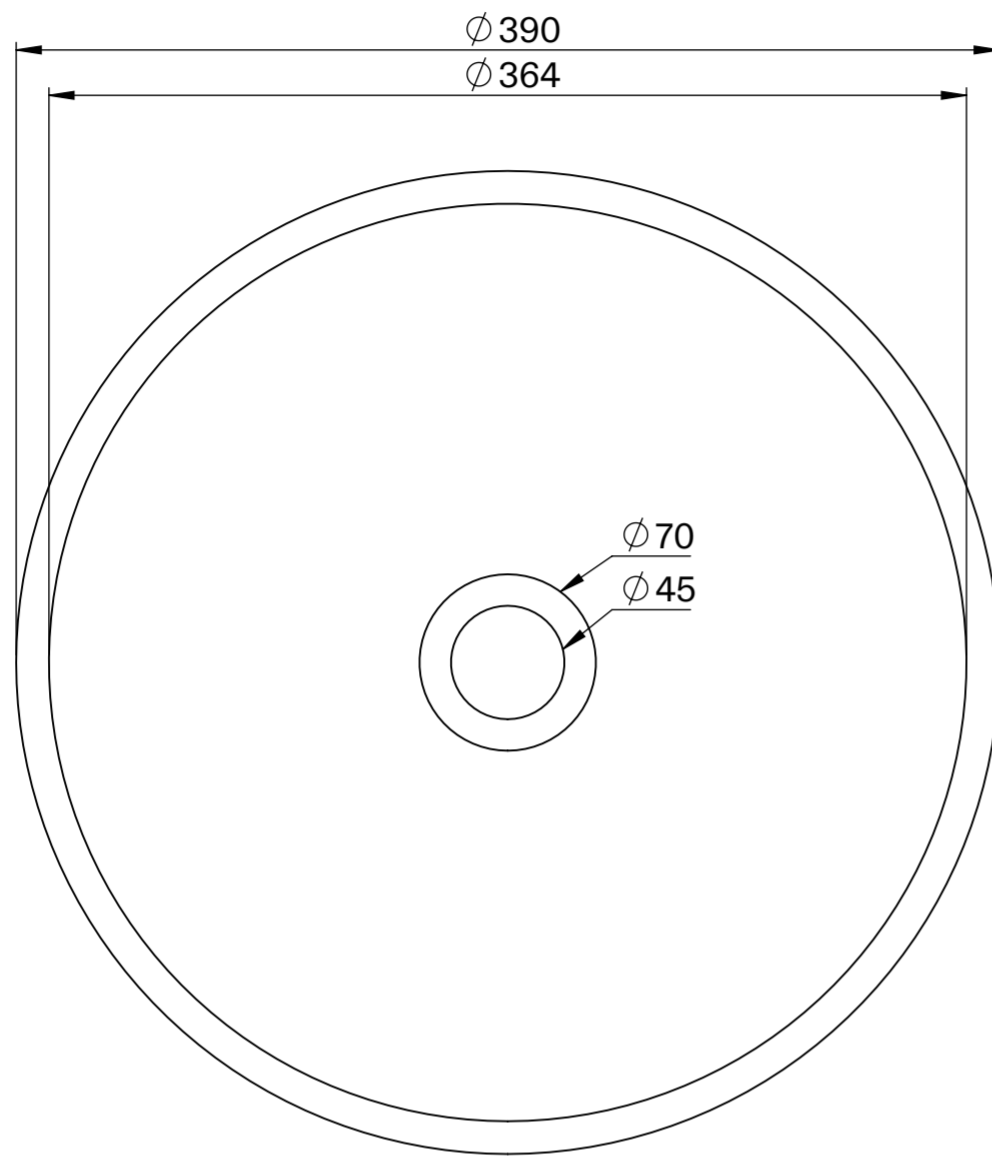
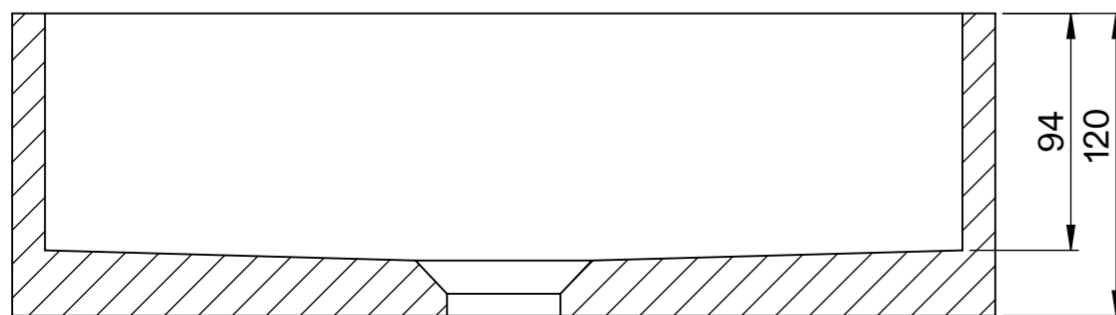


Top View



Front View - Section View



LUSO

Product Name	Tondo
Material	Concrete
Product Size, mm	390 x 120

All dimensions provided in millimeters.