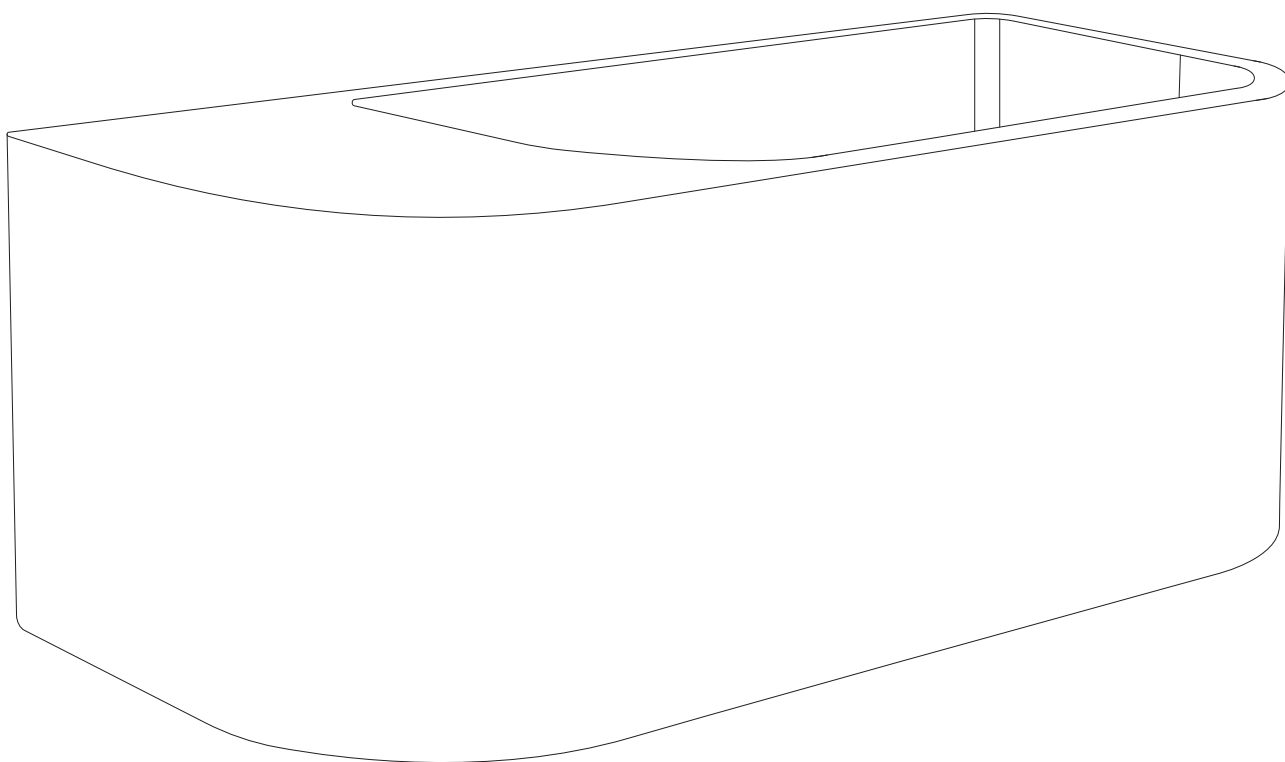


# CONCRETE

WALL HUNG BASIN



EN  
INSTALLATION AND  
CARE GUIDE

Please retain for future reference

**LUSO**

# INTRODUCTION

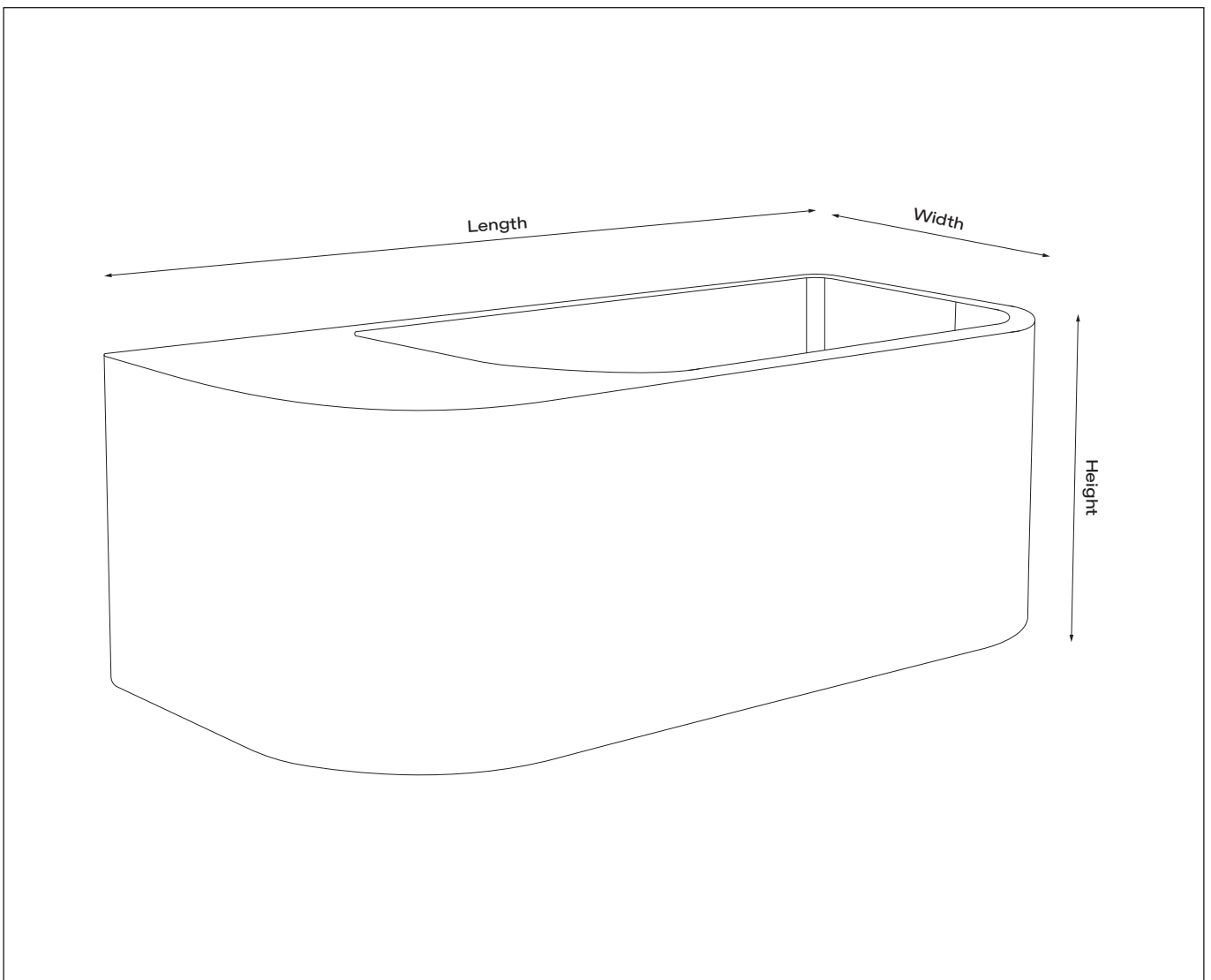
Thank you for purchasing the Lusso Concrete Wall Hung Basin.

Please read this guide carefully before installing, using and cleaning this product, and retain it for future reference.

If you have any queries in relation to this product or guide, please contact our Customer Service team on 020 3370 4057.

## PRODUCT KIT

- A Basin
- B Brackets
- C Fixings

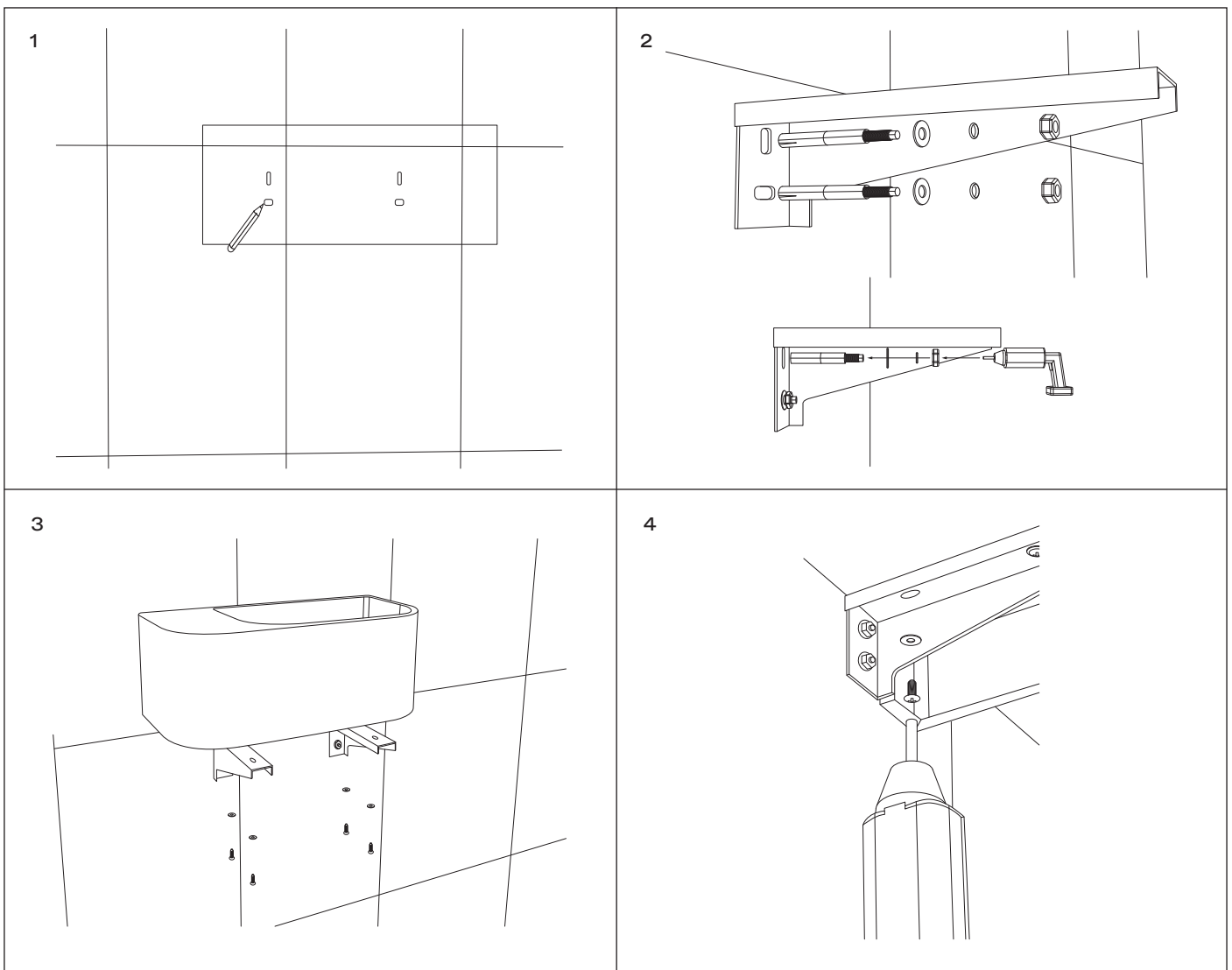


# INSTALLATION STEPS

Before installation, please note that this basin is designed for wall mounting only. For partition or weak walls, you may need to install a wall hung basin frame, therefore we recommend that the basin is installed by a fully qualified plumber.

Prior to following the steps below, please also observe all local plumbing and building codes, inspect the waste and plumbing (replacing if necessary), and check the dimensions of the basin.

- 1 Carefully hold the basin in place, and use a pencil to outline its desired position on the wall, including markings for the wall brackets and fixings.
- 2 Put the basin to one side, then once the taps and waste are installed, use a drill to fix the wall brackets into place with the provided fixings.
- 3 Once the brackets are securely fixed to the wall, mount the basin on top of the brackets.
- 4 Finally, secure the basin into position by fixing it to the wall brackets using the provided screws, check for leaks, and then apply sealant as required.



# CARE INSTRUCTIONS

To clean and maintain the flawless finish of this product, please follow the below instructions. Improper maintenance will void your product guarantee.

- ✓ Clean using warm, soapy water
- ✓ Dry with a soft cloth
- ✓ Treat the basin with specially formulated wax every six months
  
- ✗ Do not use acidic cleansers
- ✗ Do not use wire brushes, abrasive cleansers or cloths
- ✗ Do not use hard or sharp objects to scratch the surface of the basin

Go to [Lusso.com](https://Lusso.com) to activate your guarantee.

# LUSO

Customer Care: 020 3370 4057

International: +44 20 3370 4057