

# LUSO

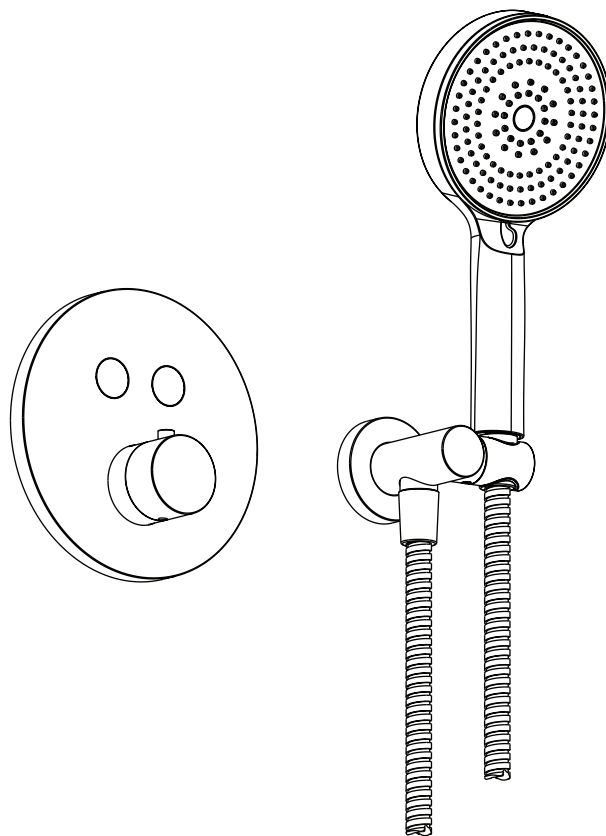
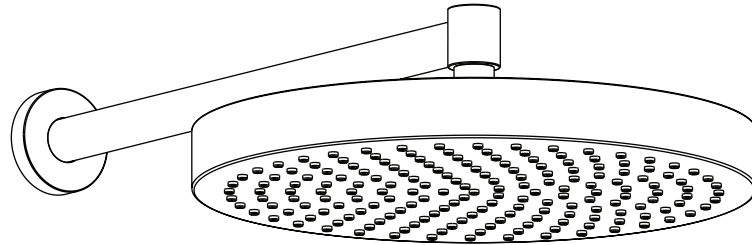
Customer Care: 020 3370 4057

International: +44 20 3370 4057

# ACQUAVITA

LUS200

PUSH BUTTON  
RAINFALL SHOWER



EN  
INSTALLATION AND  
CARE GUIDE

Please retain this Lusso guide for warranty,  
maintenance and future reference

# LUSO

# CARE GUIDE

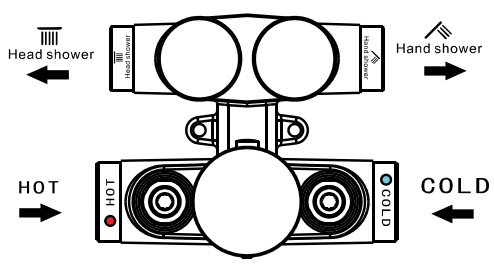
Please pay attention to the below information.  
Failure to do so will void your warranty\*

- ✗ Do not use acid cleansers
- ✗ Do not use abrasive cleansers
- ✗ Do not use abrasive cloths
  
- ✓ Rinse the surface with clean water
- ✓ Dry with a soft cloth
- ✓ To remove surface marks, please use a neutral cleanser without coarse grained powder

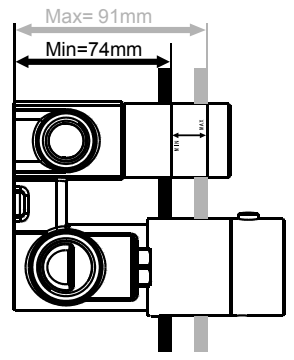
To activate your guarantee visit [lusso.com](https://www.lusso.com)

\*The consumer takes full responsibility for any damage caused by improper maintenance and using the incorrect cleaning products. Lusso cannot be held accountable for this.

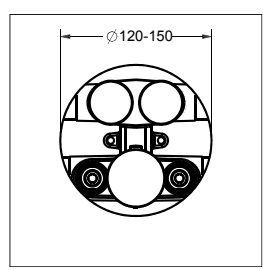
1.0



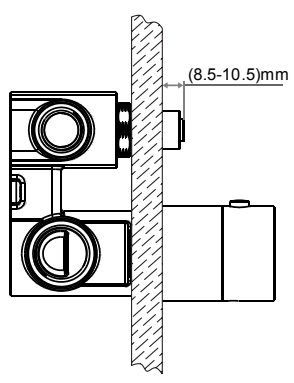
2.0



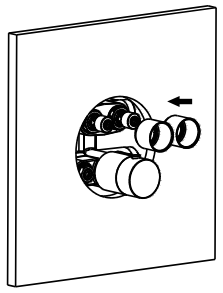
3.0



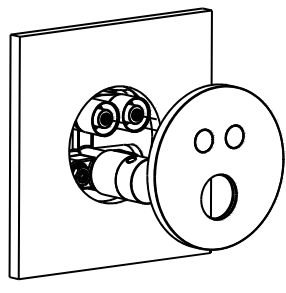
4.0



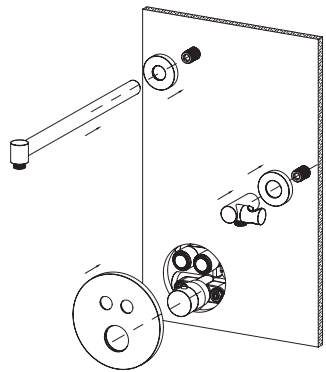
5.0



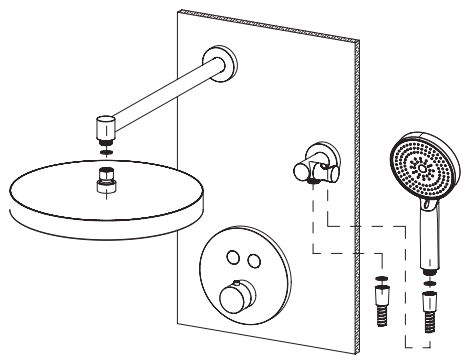
6.0



7.0



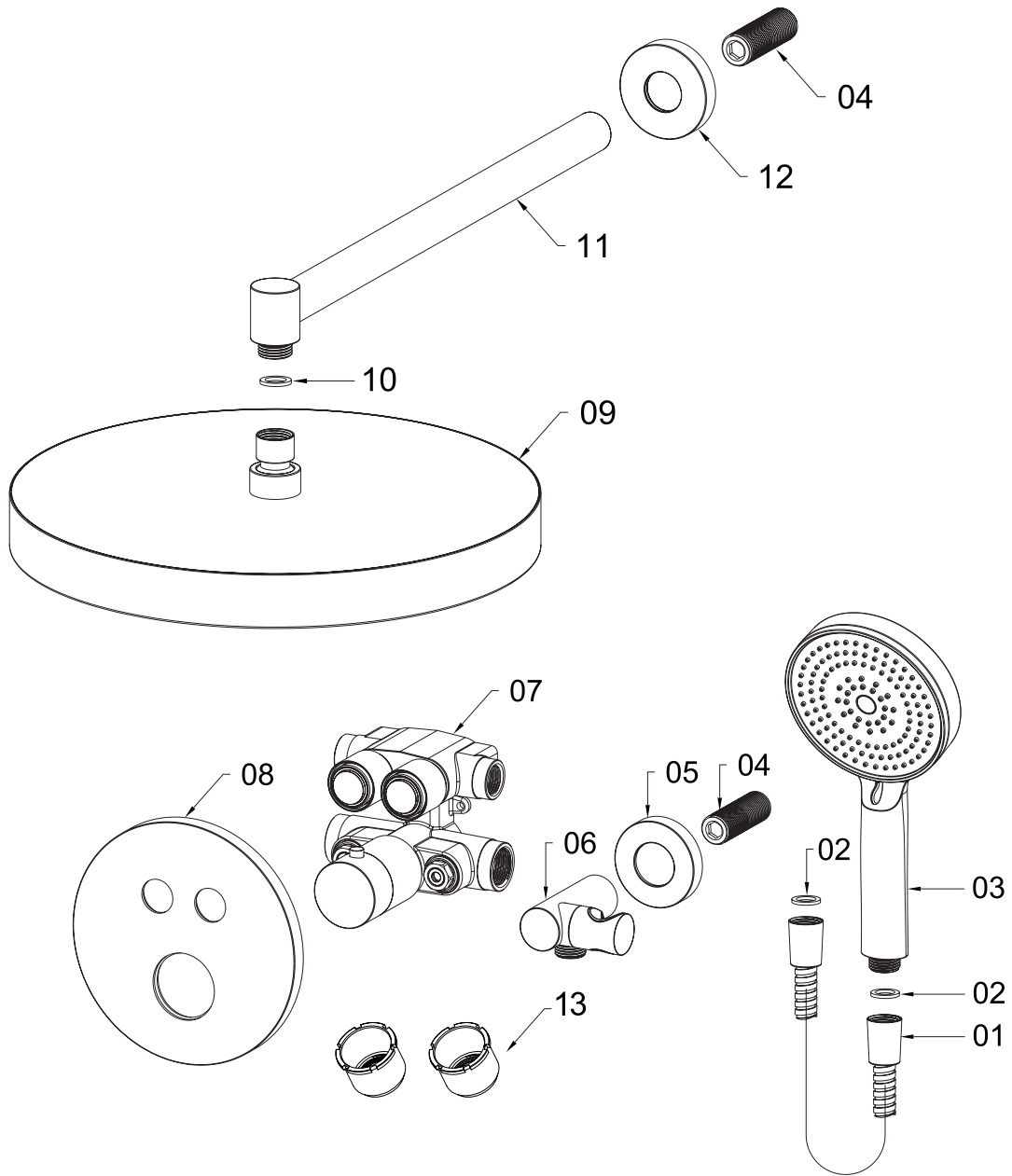
8.0



# PARTS

- 1.0 Hose x1
- 2.0 Rubber Gasket x2
- 3.0 Handset x1
- 4.0 Male Coupling x2
- 5.0 Decorative Ring x1
- 6.0 Handset Bracket x1
- 7.0 Valve x1
- 8.0 Front Plate x1
- 9.0 Shower Head x1
- 10.0 Rubber Gasket x1
- 11.0 Shower Arm x1
- 12.0 Decorative Ring x1
- 13.0 Guiding Sleeve x2

# Parts Diagram



# INSTALLATION GUIDE

- 1.0** Connect the hose to the water inlets and outlets.
- 2.0** Determine the pre-install depth according to the sign on the valve (74mm to 91mm).
- 3.0** Cut a hole into the wall with a diameter between 120mm to 150mm.
- 4.0A** Remove the protective sleeve on the buttons.
- 4.0B** Adjust the position of the guiding sleeves on the buttons. Ensure that the distance from the sleeves to the wall are within 8.5mm to 10.5mm.
- 5.0** Tighten the guiding sleeves clockwise.
- 6.0A** Press the button and turn the handle anticlockwise until the button is positioned lower than the temperature handle or sits flush to the handle.
- 6.0B** Fit the front plate to the valve.
- 7.0** Install the shower and handset bracket.
- 8.0** Connect the outlet parts for a complete rainfall shower head.

# Overall Dimensions

