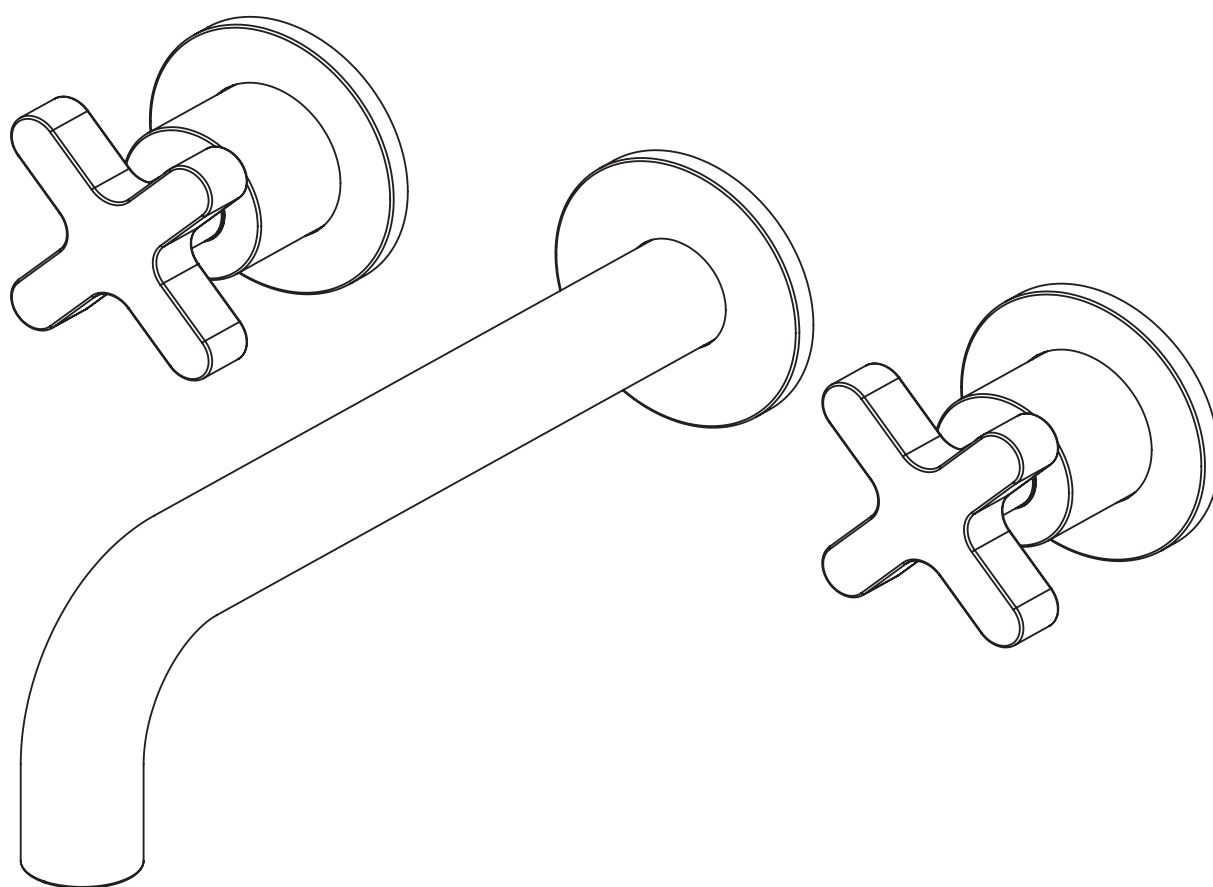


# REGAL

CRS014

## CROSSHEAD WALL MOUNTED BASIN MIXER TAP



EN  
INSTALLATION  
AND CARE GUIDE

Please retain for future reference

# LUSO

# INTRODUCTION

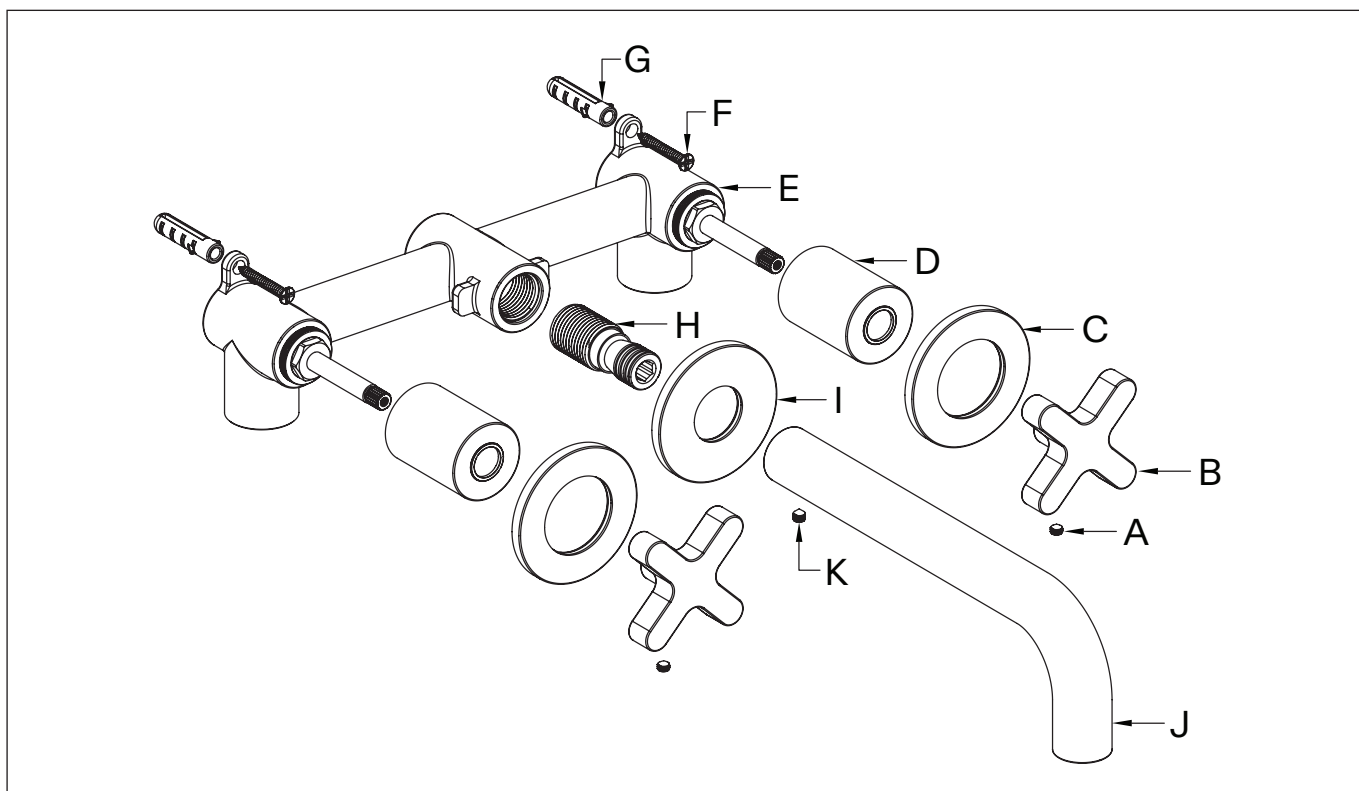
Thank you for purchasing the Regal Crosshead Wall Mounted Basin Mixer Tap.

Please read this guide carefully before installing, using and cleaning this product, and retain it for future reference. Please also note that this mixer tap has been fully tested before being dispatched, which may mean there is water residue on some of the parts.

If you have any queries in relation to this product or guide, please contact our Customer Service team on 020 3370 4057.

## PRODUCT KIT

- |          |                       |          |                 |
|----------|-----------------------|----------|-----------------|
| <b>A</b> | Hex Screw (x2)        | <b>H</b> | Coupler         |
| <b>B</b> | Crossed Handle (x2)   | <b>I</b> | Decorative Ring |
| <b>C</b> | Decorative Ring (x2)  | <b>J</b> | Spout           |
| <b>D</b> | Cartridge Sleeve (x2) | <b>K</b> | Hex Screw       |
| <b>E</b> | Valve                 |          |                 |
| <b>F</b> | Screw (x2)            |          |                 |
| <b>G</b> | Wall Plug (x2)        |          |                 |

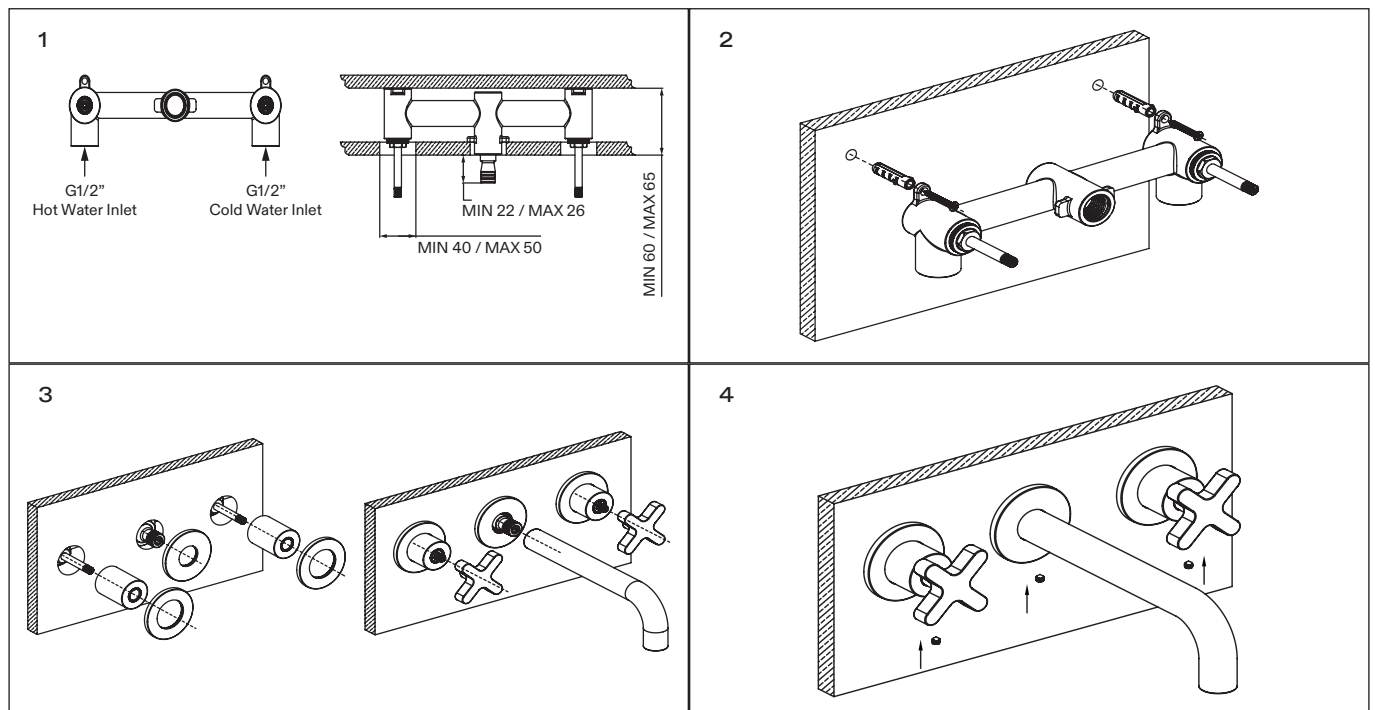


# INSTALLATION STEPS

Before installation, please note that this tap is designed for wall mounting only, and we recommend that it is installed by a fully qualified plumber. It is suitable for use on all boiler systems including pumped, gravity and combination boilers to a maximum pressure of 5 bar - pressure above this may require the fitting of reducer valves.

Please also note that failure to flush your plumbing system as part of the installation process will void the product guarantee. In addition, you must fully test the product before tiling and/or plastering, etc as Lusso will not be held responsible for any costs involved in the removal of the tap if you find there is a fault.

- 1 Refer to figure 1 for the installation position of the valve, then make holes in the wall to accommodate the valve and plumbing connections.
- 2 Using a pencil, mark where the drilling holes should be, then use an 8mm drill bit to drill the holes before inserting the provided wall plugs. Next, fit the valve onto the wall and fix into place using the provided screws.
- 3 Fit the decorative rings, cartridge sleeves and coupler to the valve (please see figure 3 for positioning guidance). Place the crossed handles onto the valve, and fit the spout onto the water outlet of the valve.
- 4 Fix the handles and spout into position using the provided hex screws before connecting the hot and cold water inlets. Finally, turn on the water system and check for leaks to complete the installation.



# CARE INSTRUCTIONS

To clean and maintain the flawless finish of this product, please follow the below instructions. Improper maintenance will void your product guarantee.

- ✓ Rinse the surface of the product with clean water.
- ✓ Dry with a soft cloth.
- ✓ Remove surface marks using a neutral cleanser without coarse grained powder.

- ✗ Do not use acidic cleansers.
- ✗ Do not use abrasive cleansers or cloths.

Go to [Lusso.com](https://Lusso.com) to activate your guarantee.

# LUSO

Customer Care: 020 3370 4057

International: +44 20 3370 4057