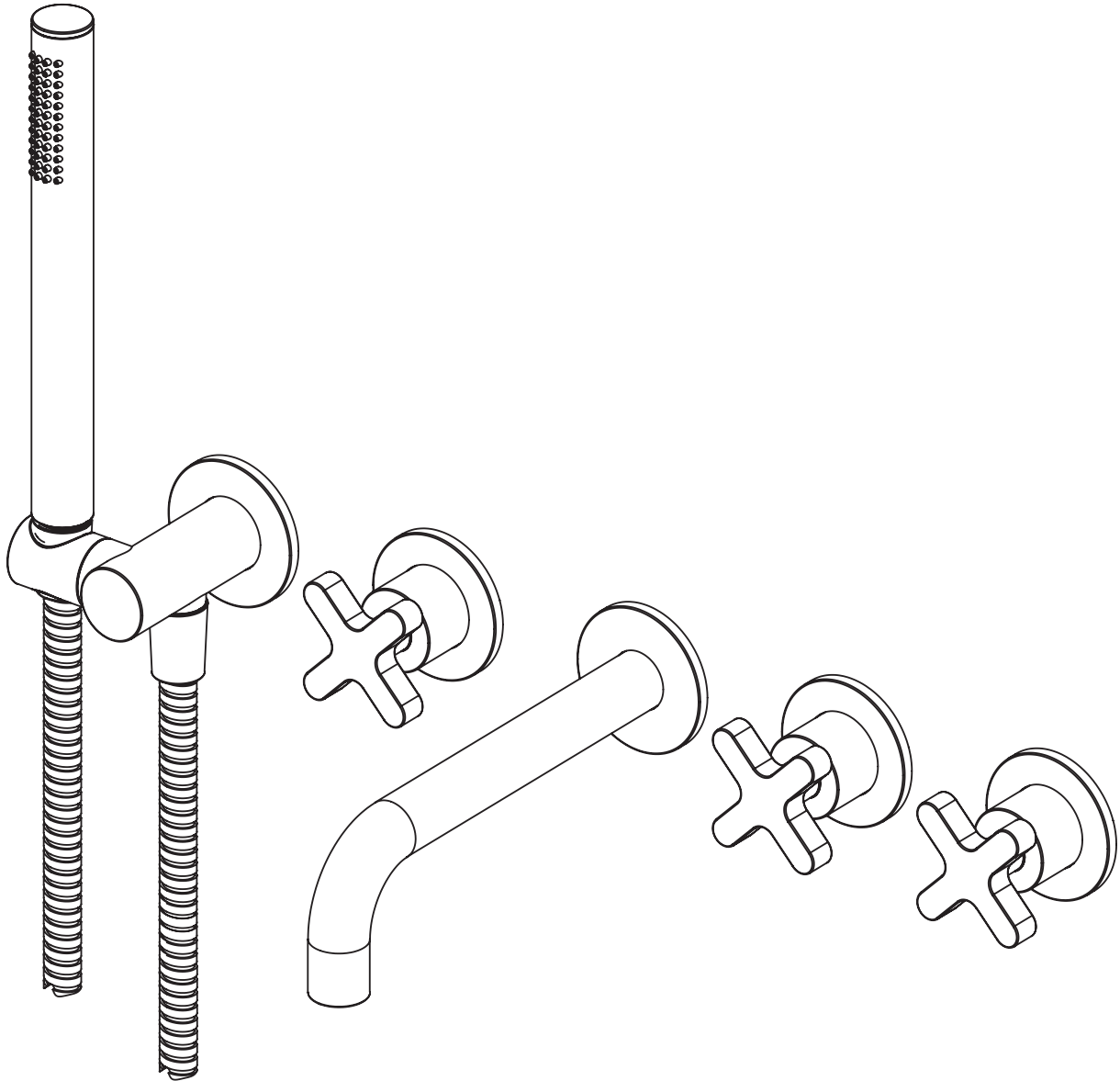


REGAL

CRS016

CROSSHEAD WALL MOUNTED BATH SHOWER FILLER TAP



EN INSTALLATION AND CARE GUIDE

Please retain for future reference

LUSO

INTRODUCTION

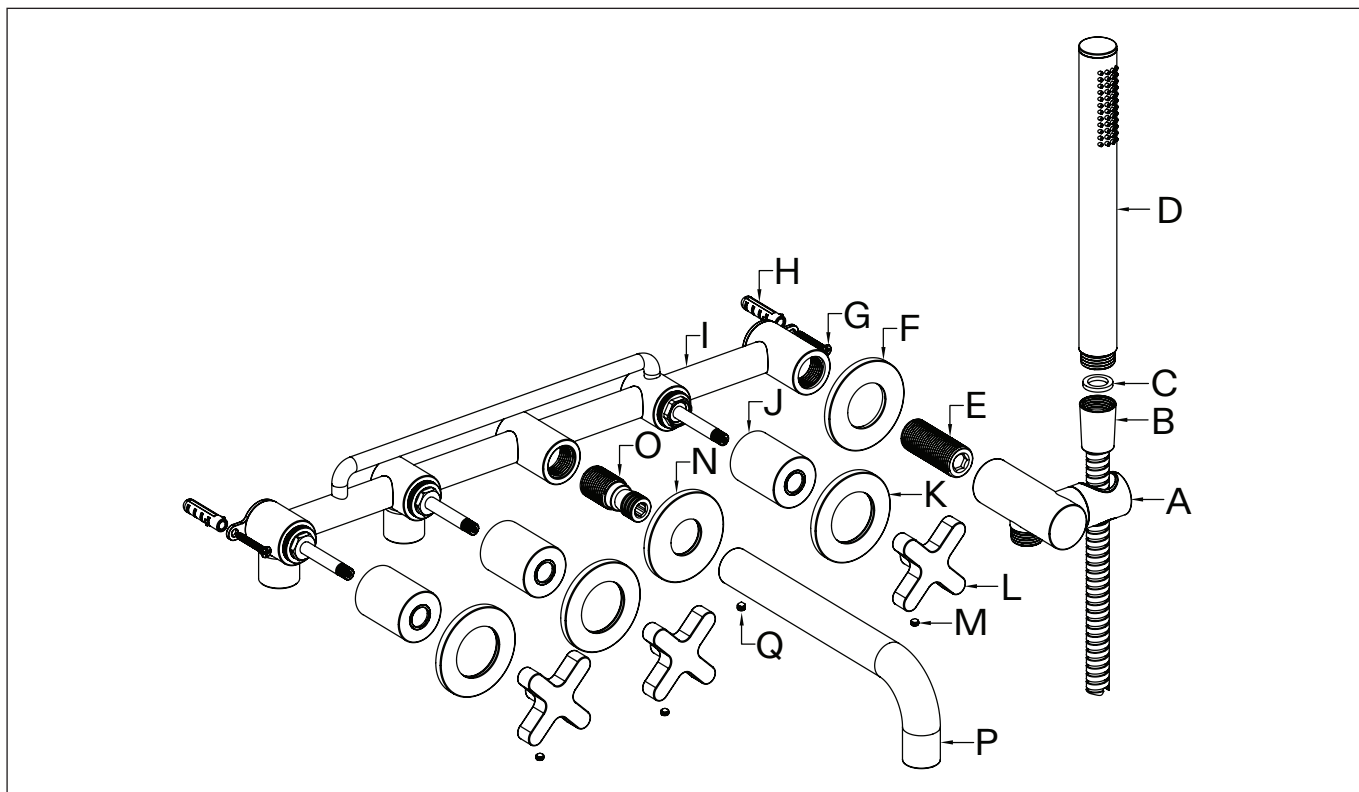
Thank you for purchasing the Regal Crosshead Wall Mounted Bath Shower Filler Tap.

Please read this guide carefully before installing, using and cleaning this product, and retain it for future reference.

If you have any queries in relation to this product or guide, please contact our Customer Service team on 020 3370 4057.

PRODUCT KIT

- | | | | |
|----------|--------------------|----------|-----------------------|
| A | Handset Bracket | J | Cartridge Sleeve (x3) |
| B | Handset Hose | K | Decorative Ring (x3) |
| C | Rubber Gasket (x2) | L | Crossed Handle (x3) |
| D | Handset | M | Hex Screw (x3) |
| E | Male Coupling | N | Decorative Ring |
| F | Decorative Ring | O | Spout Coupling |
| G | Screw (x2) | P | Spout |
| H | Wall Plug (x2) | Q | Hex Screw |
| I | Valve | | |

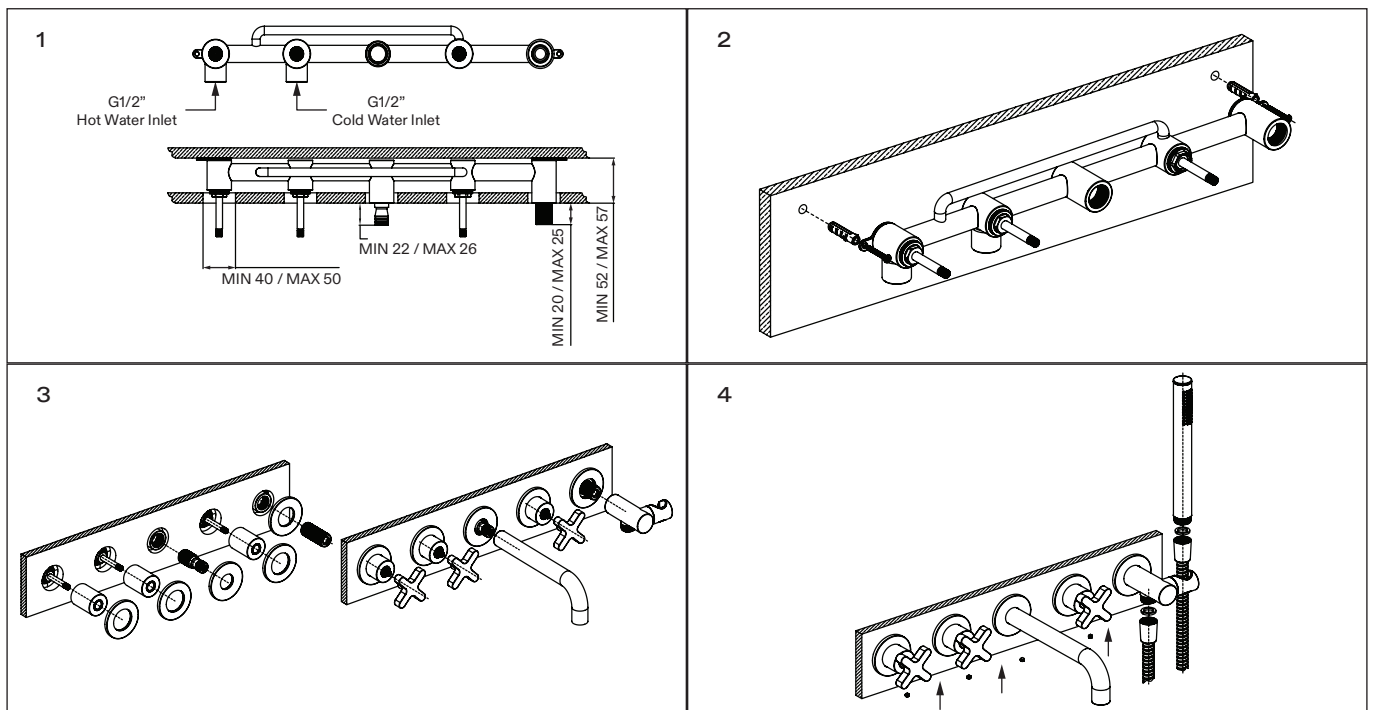


INSTALLATION STEPS

Before installation, please note that this tap is designed for wall mounting only, and we recommend that it is installed by a fully qualified plumber. It is suitable for use on all boiler systems including pumped, gravity and combination boilers to a maximum pressure of 5 bar - pressure above this may require the fitting of reducer valves.

Please also note that failure to flush your plumbing system as part of the installation process will void the product guarantee. In addition, you must fully test the product before tiling and/or plastering, etc as Lusso will not be held responsible for any costs involved in the removal of the tap if you find there is a fault.

- 1 After referring to figure 1 for sizing, make a recess in the wall to house the valve - the recess should have a depth between 52-57mm.
- 2 Secure the valve into position using the provided bolts and screws, connect the hot and cold water to the correct inlets, then make plumbing connections to the outlets and turn on the water supply to check for leaks.
- 3 Fit the decorative rings, cartridge sleeves and coupler to the valve (please see figure 3 for positioning guidance). Place the crossed handles onto the valve, and fit the spout onto the water outlet of the valve.
- 4 Tighten each of the outlets and handles into position using the provided hex screws. Finally, connect the shower hose and check for leaks to complete the installation.



CARE INSTRUCTIONS

To clean and maintain the flawless finish of this product, please follow the below instructions. Improper maintenance will void your product guarantee.

- ✓ Rinse the surface of the product with clean water.
- ✓ Dry with a soft cloth.
- ✓ Remove surface marks using a neutral cleanser without coarse grained powder.

- ✗ Do not use acidic cleansers.
- ✗ Do not use abrasive cleansers or cloths.

Go to Lusso.com to activate your guarantee.

LUSO

Customer Care: 020 3370 4057

International: +44 20 3370 4057