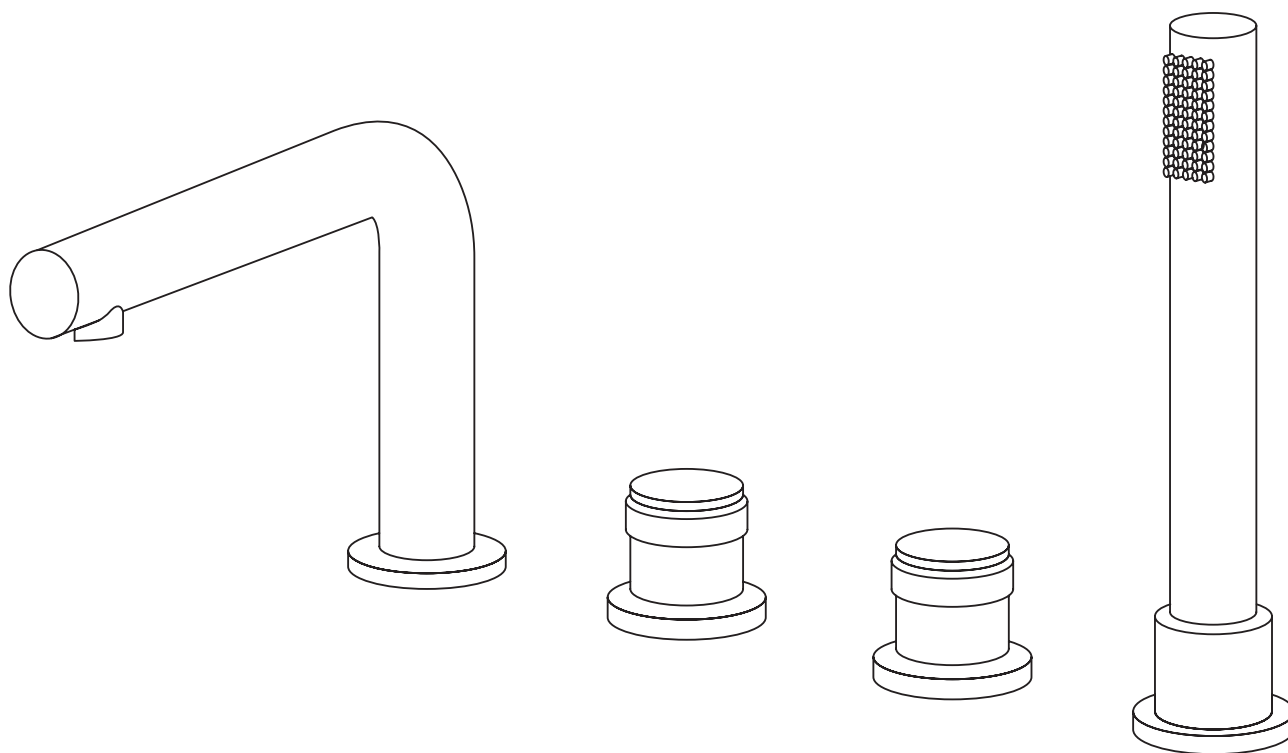


URBAN

SJS201

DECK MOUNTED BATH SHOWER MIXER TAP



EN INSTALLATION AND CARE GUIDE

Please retain for future reference

LUSO

INTRODUCTION

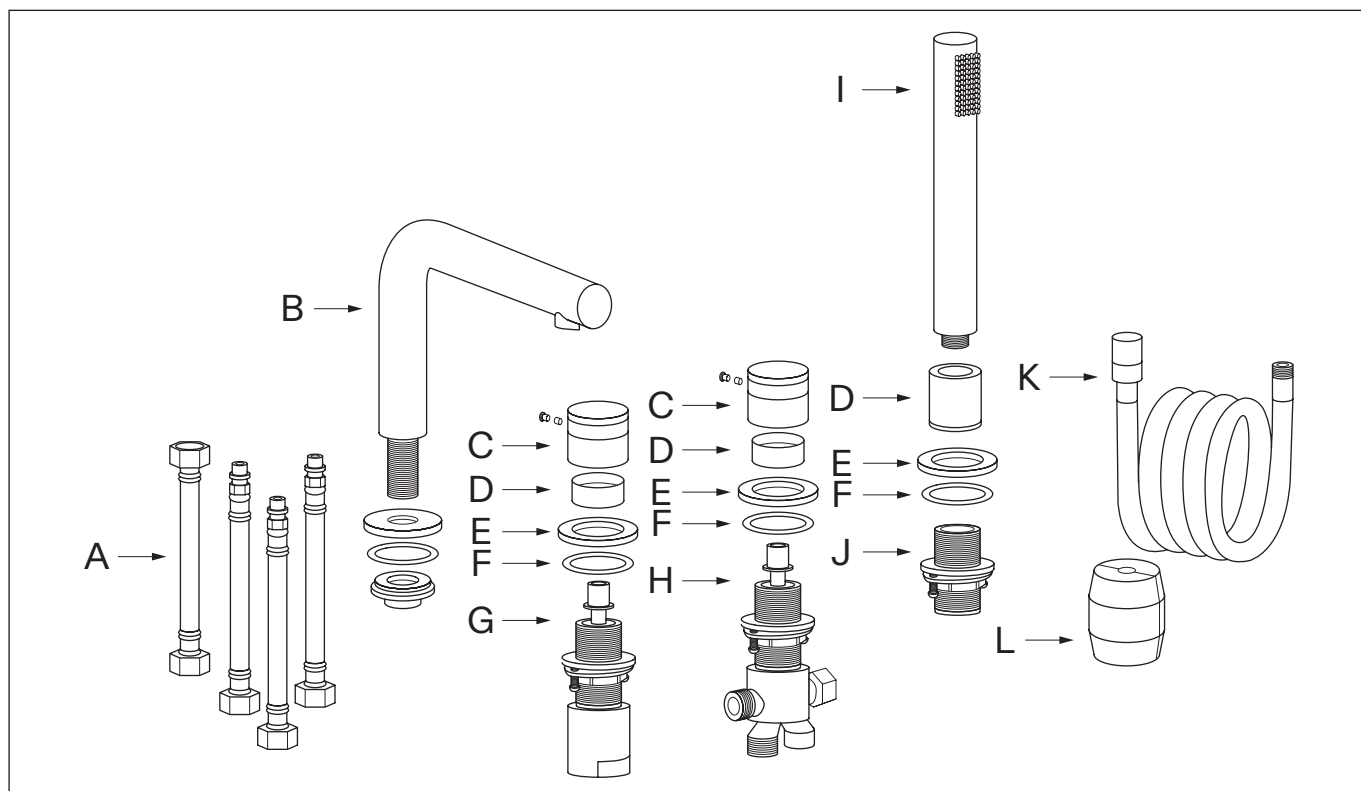
Thank you for purchasing the Urban Deck Mounted Bath Shower Mixer Tap.

Please read this guide carefully before installing, using and cleaning this product, and retain it for future reference. Please also note that this mixer tap has been fully tested before being dispatched, which may mean there is water residue on some of the parts.

If you have any queries in relation to this product or guide, please contact our Customer Service team on 020 3370 4057.

PRODUCT KIT

- | | | | |
|----------|----------------|----------|-----------------|
| A | Inlet Hose | H | Diverter |
| B | Spout | I | Handheld Shower |
| C | Lever (x2) | J | Thread |
| D | Sleeve (x3) | K | Shower Hose |
| E | Baseplate (x3) | L | Gravity Ball |
| F | O Ring (x3) | | |
| G | Body | | |



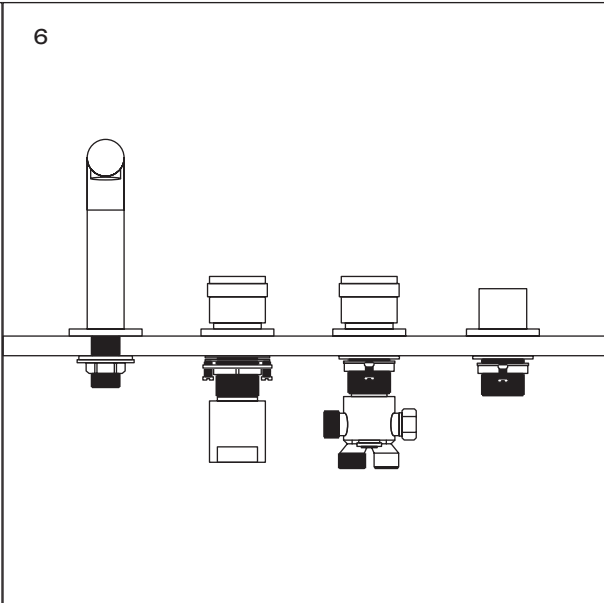
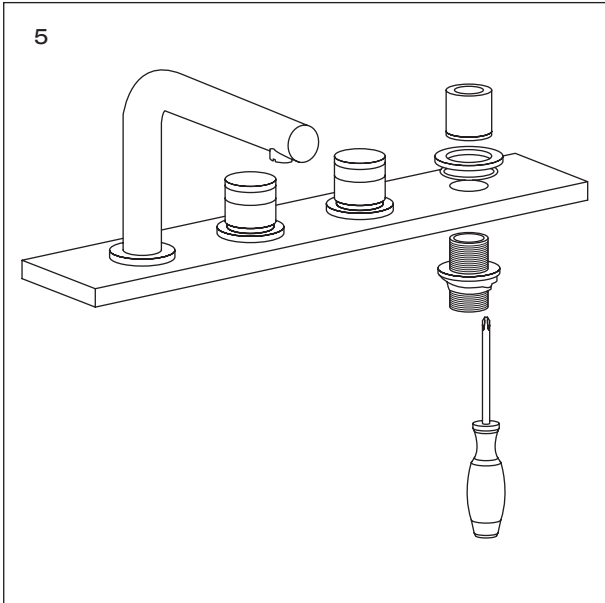
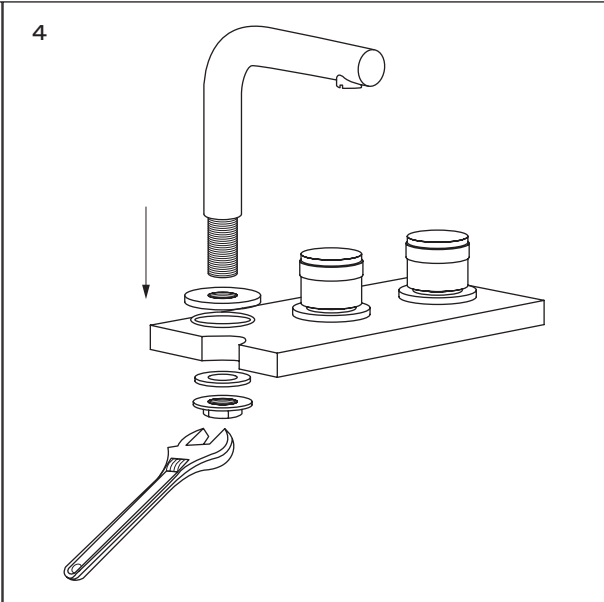
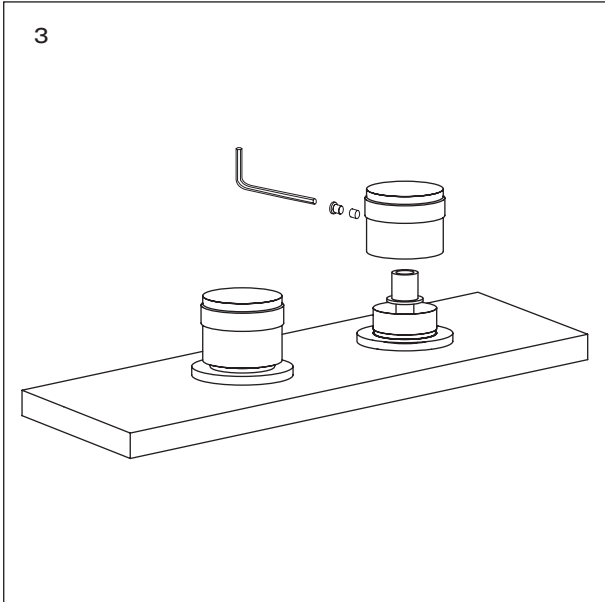
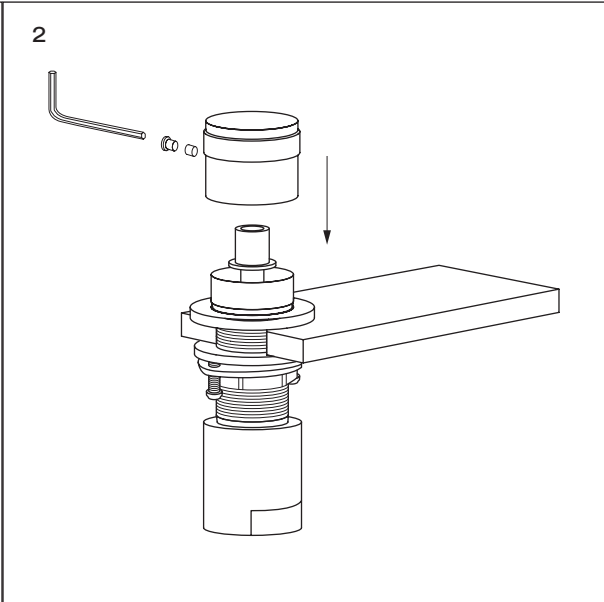
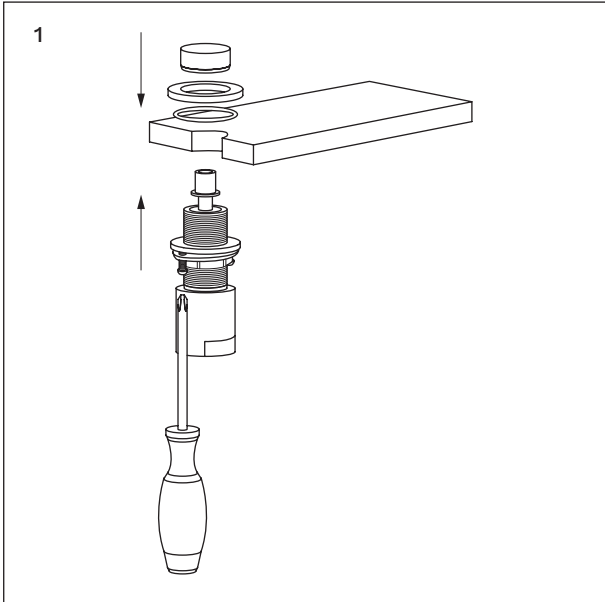
INSTALLATION STEPS

Before installation, please note that this tap is designed for deck mounting only, and we recommend that it is installed by a fully qualified plumber.

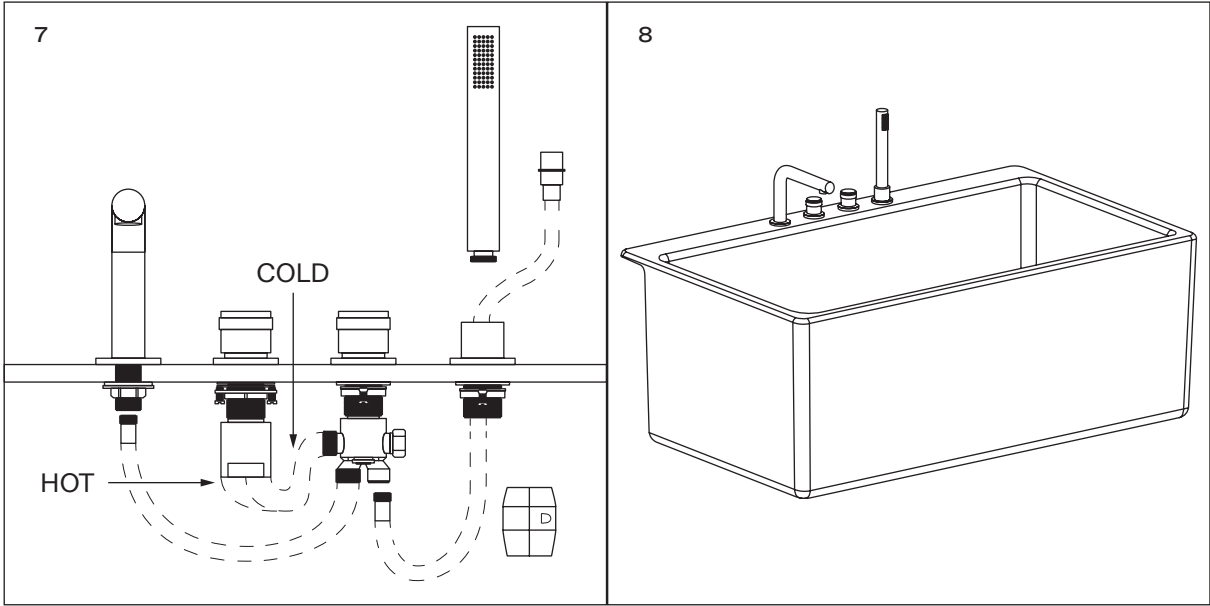
It is suitable for use on all boiler systems including pumped, gravity and combination boilers to a maximum pressure of 5 bar - pressure above this may require the fitting of reducer valves.

Please also note that failure to flush your plumbing system as part of the installation process will void the product guarantee. In addition, you must fully test the product before tiling and/or plastering, etc as Lusso will not be held responsible for any costs involved in the removal of the tap if you find there is a fault.

- 1** Carefully check the dimension drawing and mark the position for the tap. Next, push the valve through the hole of the bath from the underside. From the top of the bath, place the O ring and baseplate over the thread of the valve and screw the sleeve onto the valve to hold it into place. Use a screwdriver to tighten the valve into position.
- 2** Place the lever onto the valve and fix it in place using the provided allen key. Once the lever is secure, fill the access hole on the lever using the provided grommet.
- 3** Repeat steps 1 and 2 to install the diverter.
- 4** Place the O ring and baseplate onto the bath and put the thread of the spout through the hole. Now use the washer and nut to tighten the spout into position.
- 5** Fix the handheld shower holder into position. Push the holder through the hole of the bath from the underside. From the top of the bath, place the O ring and base plate over the thread of the holder and screw the sleeve onto the holder to fix it into place. Use a screwdriver to tighten it into position.
- 6** Connect the spout to the valve and the valve to the mains using the provided hoses.
- 7** Feed the long shower hose through the top of the shower holder, screw it into the diverter, then fix the gravity ball onto the shower hose.
- 8** Finally, turn on the mains and check for any leakages.



CONTINUED OVERLEAF



TROUBLESHOOTING

Why is the tap producing hot water when cold is selected, and vice versa?

It's likely that the hot and cold pipes have not been connected the right way around - please check and amend.

There is a leak from the top of the tap - what should I do?

In this instance, the cartridge may have become loose during installation. To tighten it, first turn off the mains, then remove the lever, sleeve and base plate. When you've released the valve, you then need to tighten the brass nut that holds the cartridge in place to create a seal between the cartridge and the valve. Finally, reassemble the tap and turn the mains back on.

What could cause a fluctuating flow rate or low/no flow from the valve?

This may be due to either a blockage in the system, incorrect operating conditions, or a clog in the aerator. To unclog the aerator, simply unscrew it, rinse it with water, and reinstall it - if the problem persists, please consult with a qualified plumber.

How do I replace the cartridge?

Turn off the mains, then remove the lever, sleeve and base plate. When you've released the valve, you need to remove the brass nut, then remove the cartridge and replace it with a new one. Finally, reassemble the tap and turn the mains back on.

CARE INSTRUCTIONS

To clean and maintain the flawless finish of this product, please follow the below instructions. Improper maintenance will void your product guarantee.

✓ Clean with a damp cloth.

✗ Do not use acidic cleansers.

✗ Do not use abrasive cleansers or cloths.

Go to Lusso.com to activate your guarantee.

LUSO

Customer Care: 020 3370 4057

International: +44 20 3370 4057