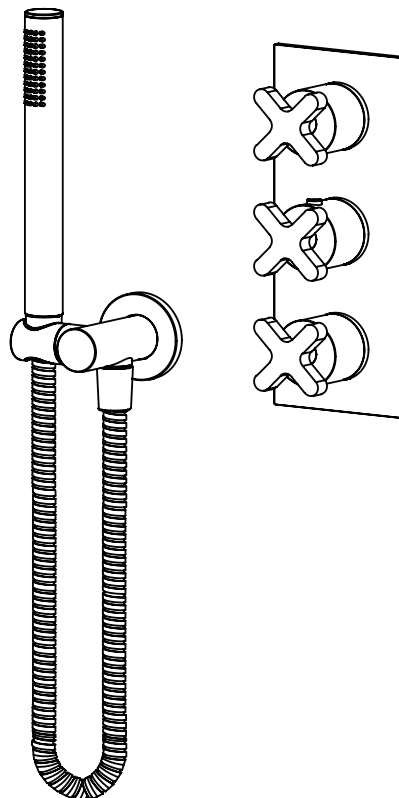
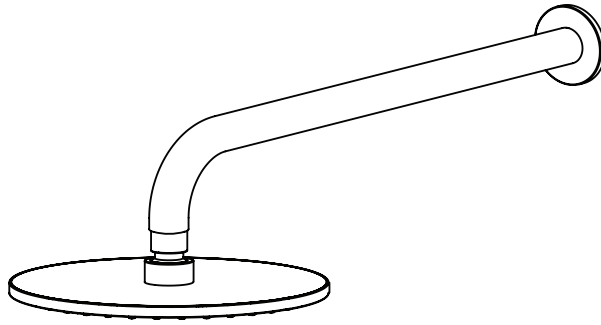


REGAL

CRS017

CROSSHEAD THERMOSTATIC 2-WAY MIXER SHOWER SYSTEM



EN INSTALLATION AND CARE GUIDE

Please retain for future reference

LUSO

INTRODUCTION

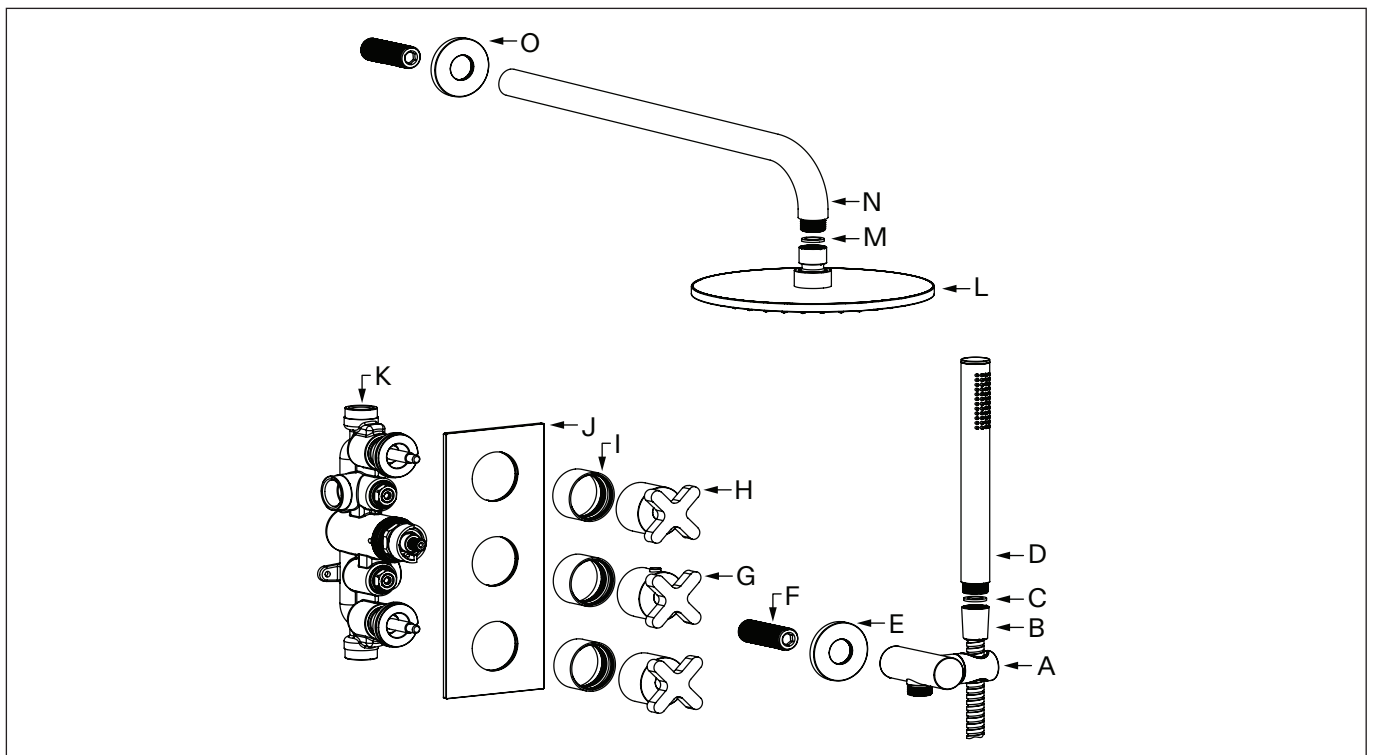
Thank you for purchasing the Regal Crosshead Thermostatic 2-Way Mixer Shower System.

Please read this guide carefully before installing, using and cleaning this product, and retain it for future reference. Please also note that this mixer tap has been fully tested before being dispatched, which may mean there is water residue on some of the parts.

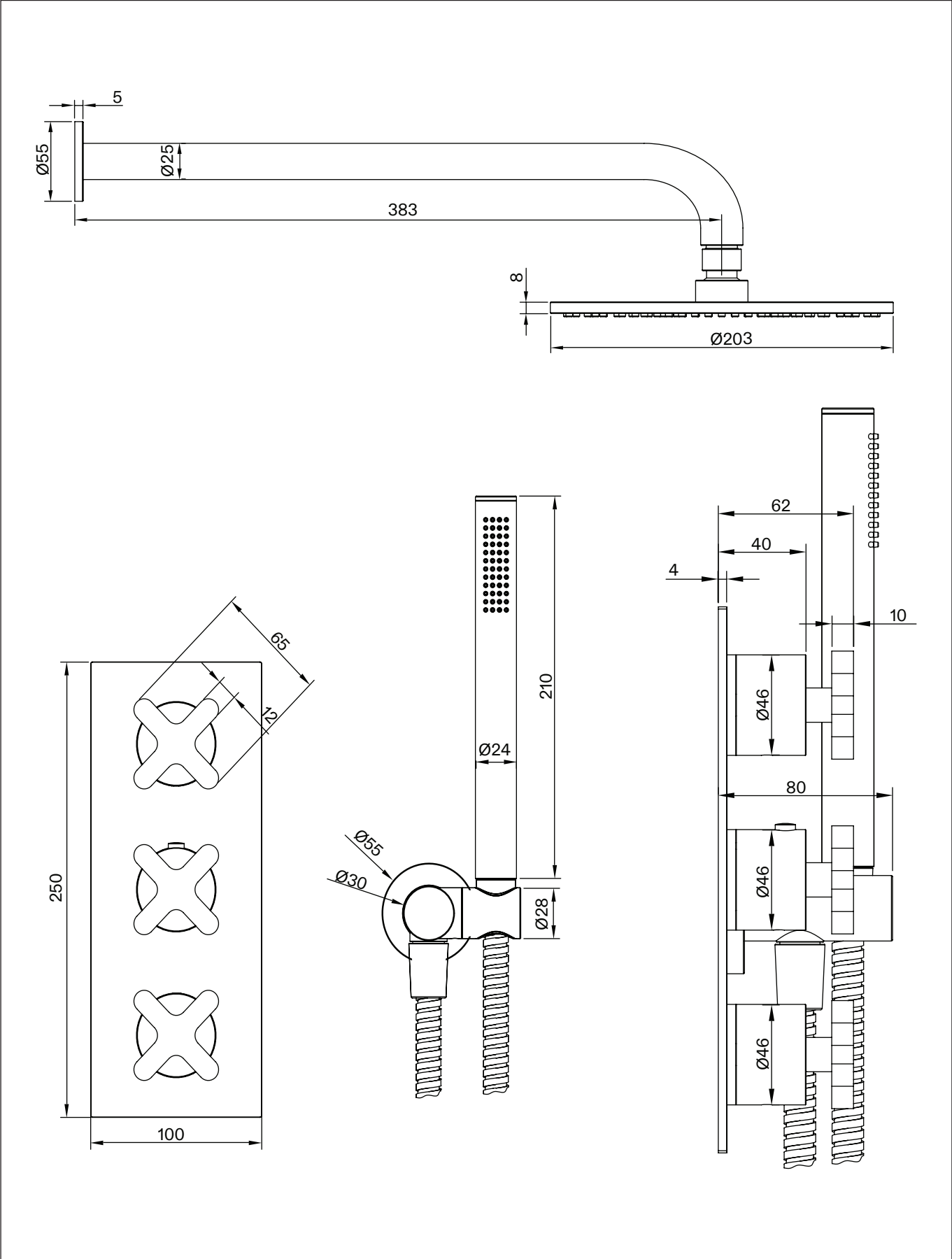
If you have any queries in relation to this product or guide, please contact our Customer Service team on 020 3370 4057.

PRODUCT KIT

- | | | | |
|----------|---------------------|----------|-----------------|
| A | Handset Bracket | I | Sleeve (x3) |
| B | Handset Hose | J | Front Plate |
| C | Rubber Gasket (x2) | K | Valve |
| D | Handset | L | Shower Head |
| E | Decorative Ring | M | Rubber Gasket |
| F | Male Coupling (x2) | N | Shower Arm |
| G | Thermostatic Handle | O | Decorative Ring |
| H | Handle (x2) | | |



DIMENSIONS



INSTALLATION STEPS

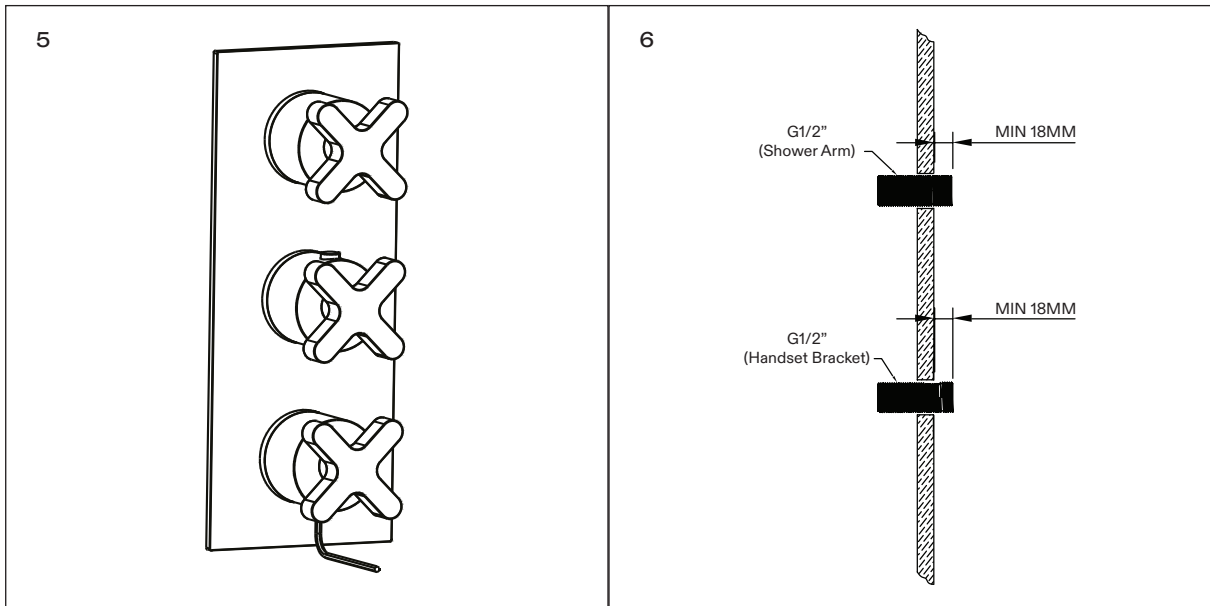
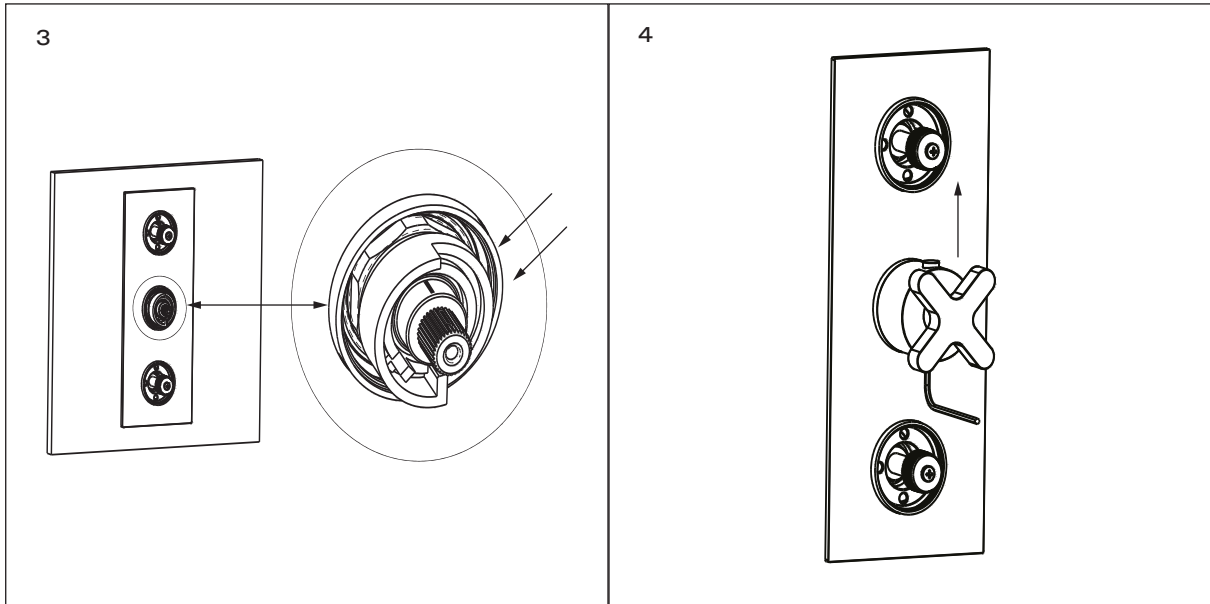
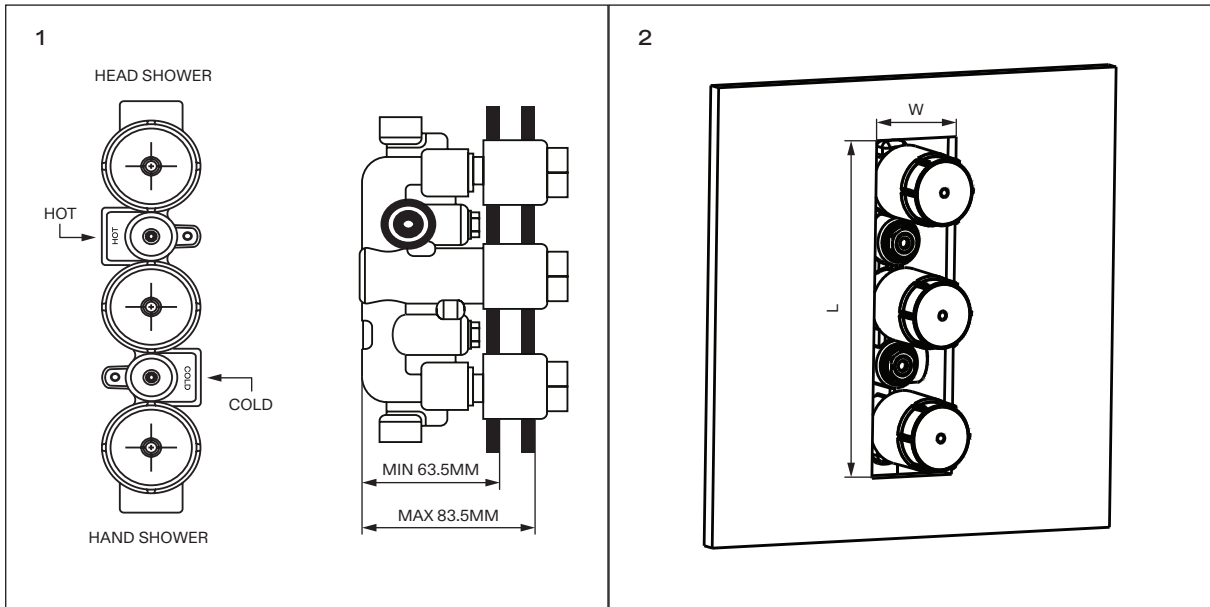
We recommend that this shower system is installed by a fully qualified plumber. This shower system is suitable for boiler systems with a minimum water supply pressure of 3 bar, and a maximum pressure of 5 bar - pressure above this will require the fitting of reducer valves.

The minimum hot water supply temperature is 50°C and the maximum temperature is 70°C. We recommend a hot water supply temperature of 55°C to 65°C, and the thermostatic temperature for installation should be 38°C.

Before installation, please note that the feeds must be connected to the correct inlets - failure to do this will result in hot or cold water instead of a mixed temperature. In addition, the pressure difference between the hot and cold water supply should be less than 2 bar to avoid an unstable flow and temperature.

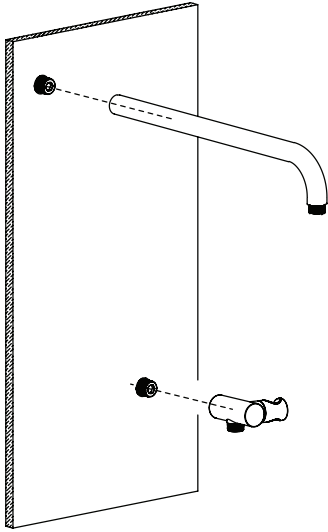
Please also note that failure to flush your plumbing system as part of the installation process will void the product guarantee. You must also fully test the product before tiling and/or plastering, etc as Lusso will not be held responsible for any costs involved in the removal of the shower system if you find there is a fault.

- 1 To house the valve, make a recess in the wall with a depth between 63.5-83.5mm, a length between 215-235mm and a width between 55-80mm.**
- 2 Use the provided bolts and screws to secure the valve into the wall.**
- 3 Remove the protective caps from the valves and install the sleeves into the main valve, ensuring that the lines on the thermostatic cartridge are aligned. At this stage, check to make sure there are no leaks before tiling and/or continuing with the installation. Next, carefully slide the back plate over the valve, taking care not to scratch the finish.**
- 4 Install the thermostatic lever, and make sure that the thermostatic cartridge is not turned until this is complete. The lines on the thermostatic cartridge must be aligned and the safety button should be pointing upwards.**
- 5 Using the provided grub screws, install the other levers.**
- 6 Refer to figure 6 for the positioning of the shower arm and handset bracket.**
- 7 Install the shower arm and handset bracket.**
- 8 Install the shower head and handset hose, and make sure that the rubber gaskets are correctly sealed to complete the installation.**

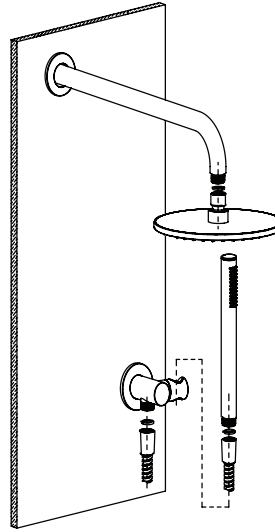


CONTINUED OVERLEAF

7



8



CARE INSTRUCTIONS

To clean and maintain the flawless finish of this product, please follow the below instructions. Improper maintenance will void your product guarantee.

- ✓ Rinse the surface of the product with clean water.
- ✓ Dry with a soft cloth.

- ✗ Do not use acidic cleansers.
- ✗ Do not use abrasive cleansers or cloths.

Go to Lusso.com to activate your guarantee.

LUSO

Customer Care: 020 3370 4057

International: +44 20 3370 4057