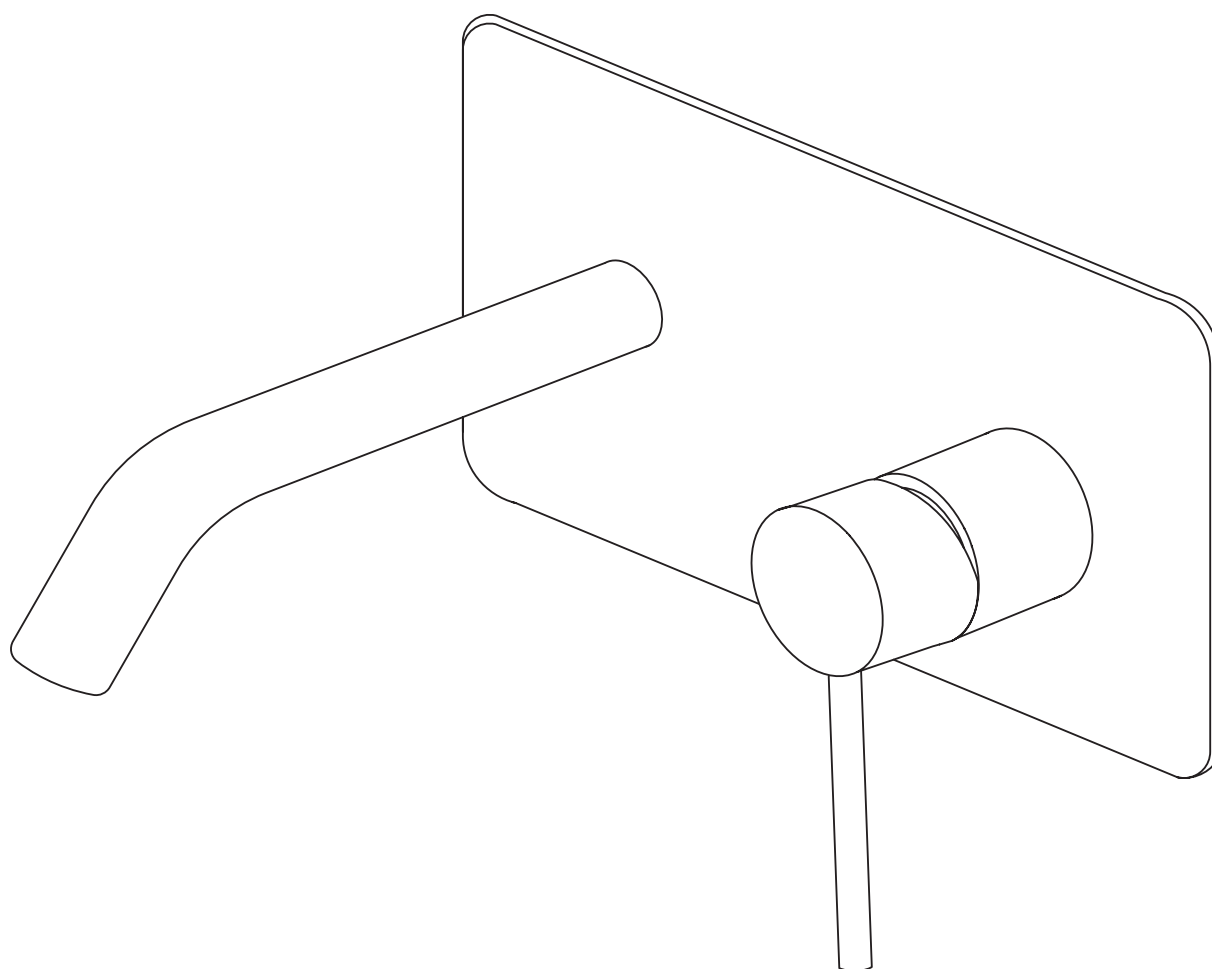


# LUXE

703

WALL MOUNTED BASIN  
MIXER TAP V2



EN  
INSTALLATION  
AND CARE GUIDE

Please retain for future reference

# LUSO

# INTRODUCTION

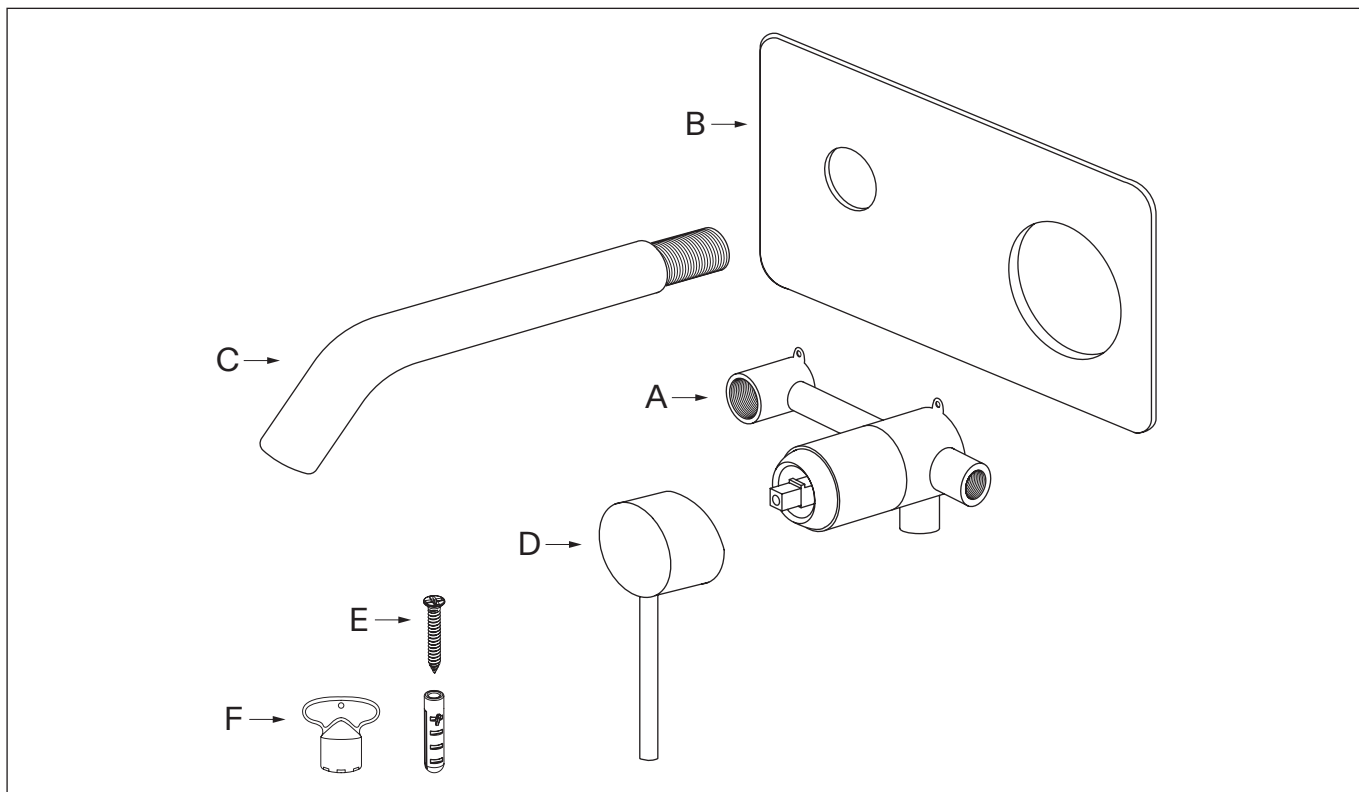
Thank you for purchasing the Luxe Wall Mounted Basin Mixer Tap V2.

Please read this guide carefully before installing, using and cleaning this product, and retain it for future reference. Please also note that this mixer tap has been fully tested before being dispatched, which may mean there is water residue on some of the parts.

If you have any queries in relation to this product or guide, please contact our Customer Service team on 020 3370 4057.

## PRODUCT KIT

- A** Valve
- B** Cover Plate
- C** Spout
- D** Lever
- E** Fixings
- F** Aerator



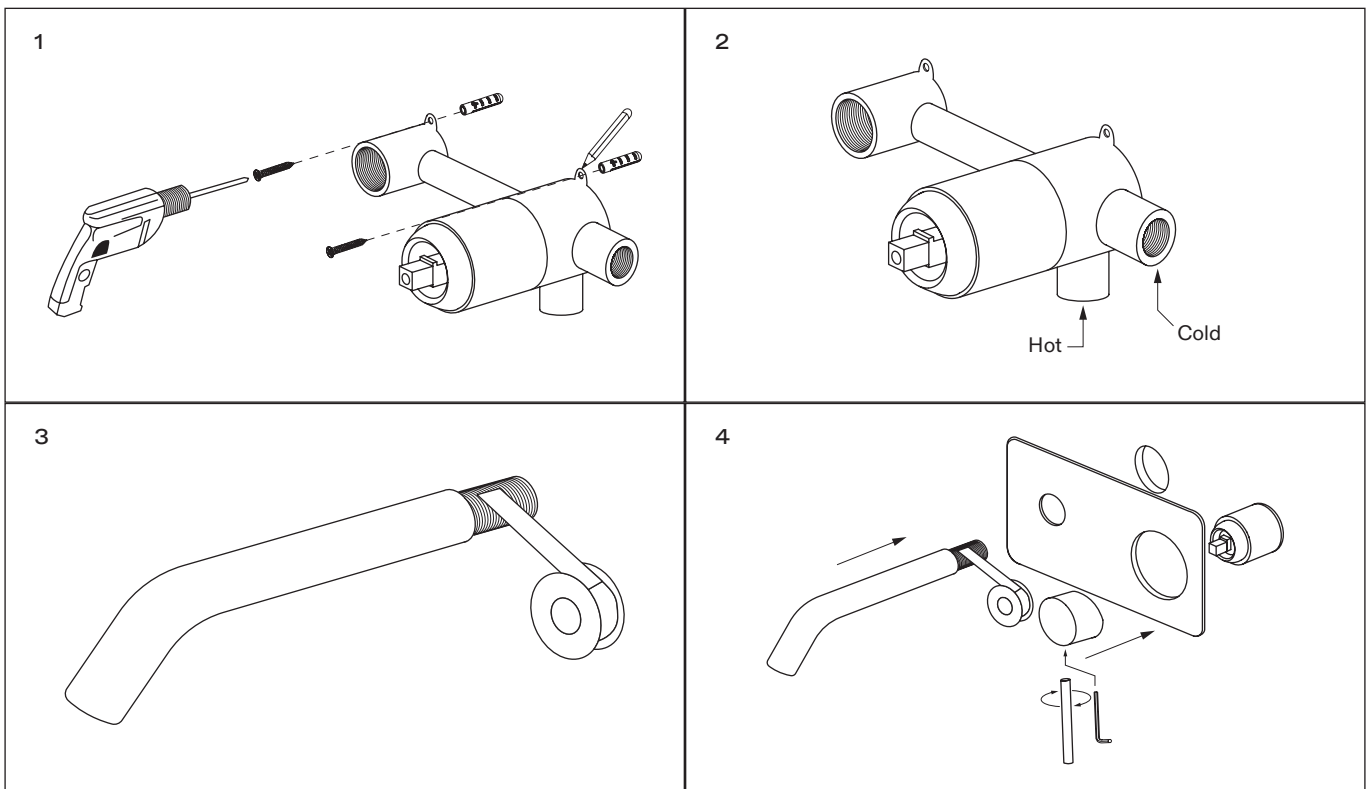
# INSTALLATION STEPS

Before installation, please note that this tap is designed for wall mounting only, and we recommend that it is installed by a fully qualified plumber.

It is suitable for use on all boiler systems including pumped, gravity and combination boilers to a maximum pressure of 5 bar - pressure above this may require the fitting of reducer valves.

Please also note that failure to flush your plumbing system as part of the installation process will void the product guarantee. In addition, you must fully test the product before tiling and/or plastering, etc as Lusso will not be held responsible for any costs involved in the removal of the tap if you find there is a fault.

- 1 Carefully check the dimension drawing and mark the position for the valve before fixing it into place using the provided screws.
- 2 Connect the hot and cold water feeds.
- 3 Slowly slide the cover plate over the lever section, taking care not to scratch it, and screw the spout into place using PTFE tape.
- 4 Fix the lever into place and ensure it's screwed in tightly before testing the tap.



# TROUBLESHOOTING

## **Why is the tap producing hot water when cold is selected, and vice versa?**

It's likely that the hot and cold pipes have not been connected the right way around - please check and amend.

## **There is a leak from the top of the tap - what should I do?**

In this instance, the cartridge may have become loose during installation. To tighten it, unscrew the long section of the lever by hand to reveal the hex nut, and unscrew the nut using the provided allen key. Put the lever and the screw aside, remove the dome shaped part, and then tighten the cartridge fixing nut with an adjustable spanner to create a seal and stop the leak. Once complete, reassemble the tap.

## **What could cause a fluctuating flow rate or low/no flow from the valve?**

This may be due to either a blockage in the system, incorrect operating conditions, or a clog in the aerator. To unclog the aerator, simply unscrew it, rinse it with water, and reinstall it - if the problem persists, please consult with a qualified plumber.

## **How do I replace the cartridge?**

Isolate the water to the tap, unscrew the long section of the lever by hand to reveal the hex nut, and unscrew the nut using the provided allen key. Put the lever and the screw aside. Next, remove the dome shaped part, unscrew and remove the cartridge fixing nut, lift out the cartridge, and replace it with a new one - ensuring that the holes are aligned - before reassembling the tap.

# CARE INSTRUCTIONS

To clean and maintain the flawless finish of this product, please follow the below instructions. Improper maintenance will void your product guarantee.

✓ Clean with a damp cloth.

✗ Do not use acidic cleansers.

✗ Do not use abrasive cleansers or cloths.

Go to [Lusso.com](https://Lusso.com) to activate your guarantee.

# LUSO

Customer Care: 020 3370 4057

International: +44 20 3370 4057