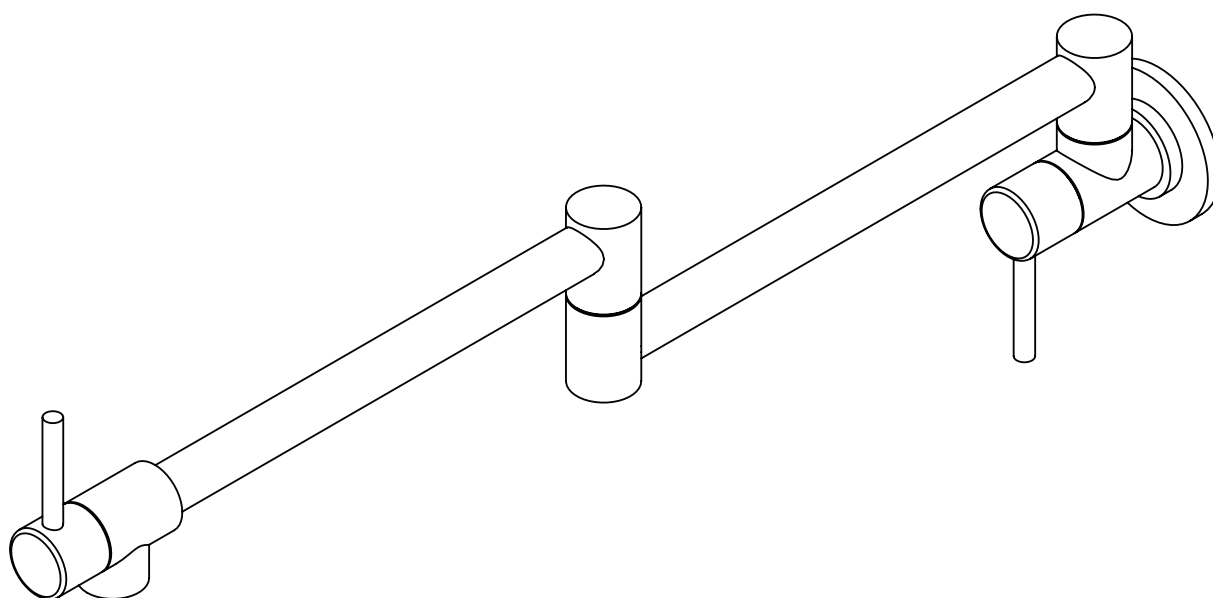


VERONI

DL1600

POT FILLER TAP



EN
INSTALLATION
AND CARE GUIDE

Please retain for future reference

LUSO

INTRODUCTION

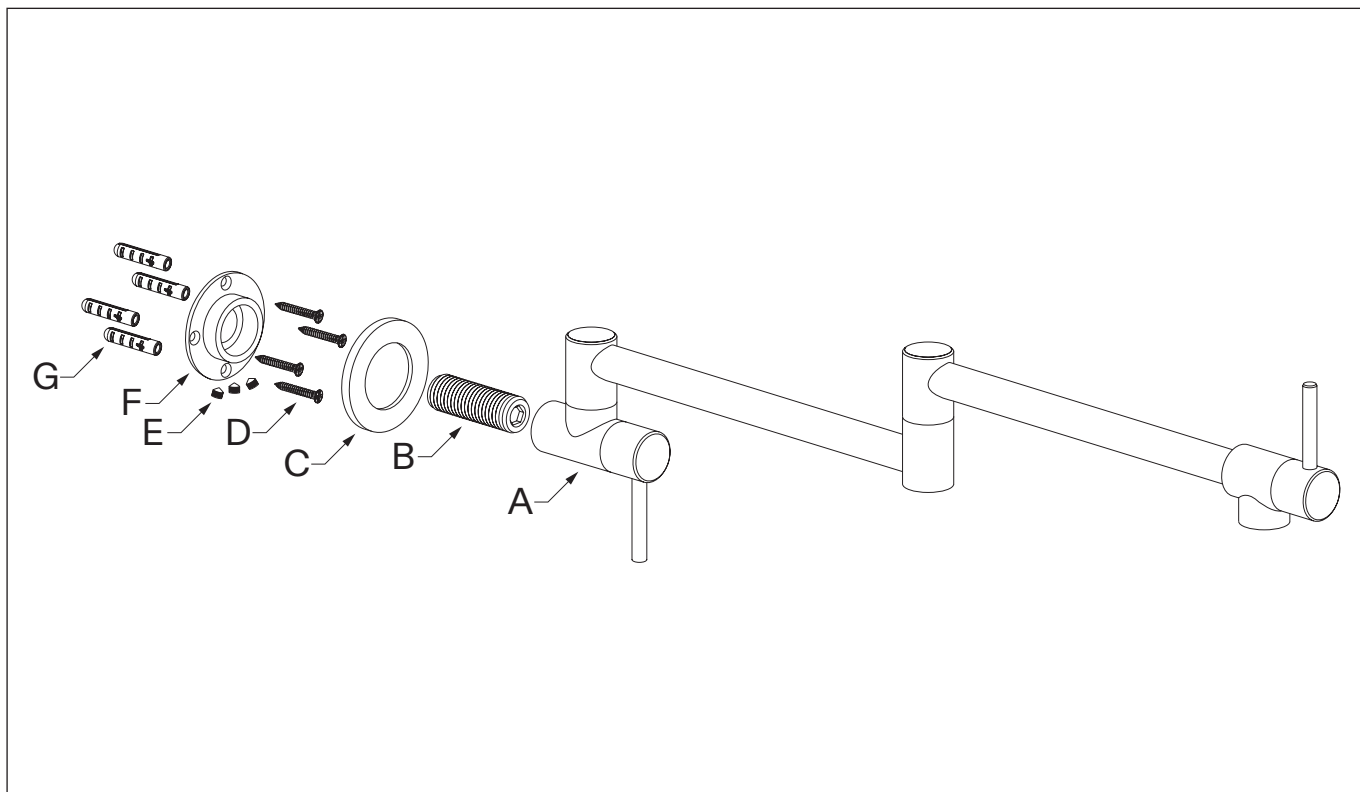
Thank you for purchasing the Veroni Pot Filler Tap.

Please read this guide carefully before installing, using and cleaning this product, and retain it for future reference. Please also note that this mixer tap has been fully tested before being dispatched, which may mean there is water residue on some of the parts.

If you have any queries in relation to this product or guide, please contact our Customer Service team on 020 3370 4057.

PRODUCT KIT

- A** Tap Body
- B** Male Coupling
- C** Plate
- D** Screws (x4)
- E** Hexagonal Screws (x3)
- F** Mounting Flange
- G** Wall Plugs (x4)



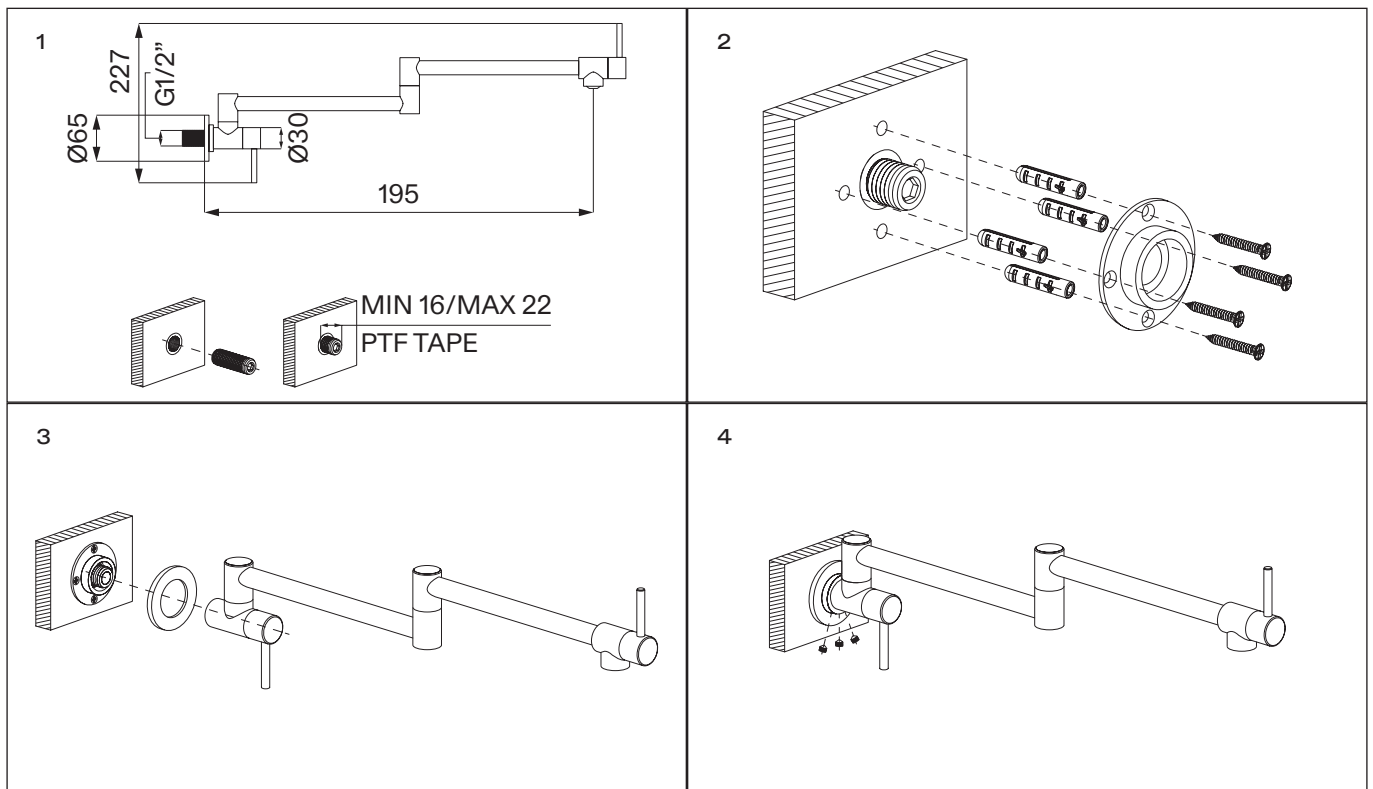
INSTALLATION STEPS

Before installation, please note that this tap is designed for wall mounting only, and we recommend that it is installed by a fully qualified plumber.

It is suitable for use on all boiler systems including pumped, gravity and combination boilers to a maximum pressure of 5 bar - pressure above this may require the fitting of reducer valves.

Please also note that failure to flush your plumbing system as part of the installation process will void the product guarantee. In addition, you must fully test the product before tiling and/or plastering, etc as Lusso will not be held responsible for any costs involved in the removal of the tap if you find there is a fault.

- 1 Carefully check the dimension drawing and mark the position for the tap. Next, screw in the male coupling using PTFE tape.
- 2 Drill holes to install the mounting flange using the provided screws and wall plugs.
- 3 Put the decorative plate into position.
- 4 Screw the tap into place and secure with the hexagonal screws.



TROUBLESHOOTING

What could cause a fluctuating flow rate or low/no flow from the valve?

This may be due to either a blockage in the system, incorrect operating conditions, or a clog in the aerator. To unclog the aerator, simply unscrew it, rinse it with water, and reinstall it - if the problem persists, please consult with a qualified plumber.

CARE INSTRUCTIONS

To clean and maintain the flawless finish of this product, please follow the below instructions. Improper maintenance will void your product guarantee.

✓ Clean with a damp cloth.

✗ Do not use acidic cleansers.

✗ Do not use abrasive cleansers or cloths.

Go to Lusso.com to activate your guarantee.

LUSO

Customer Care: 020 3370 4057

International: +44 20 3370 4057