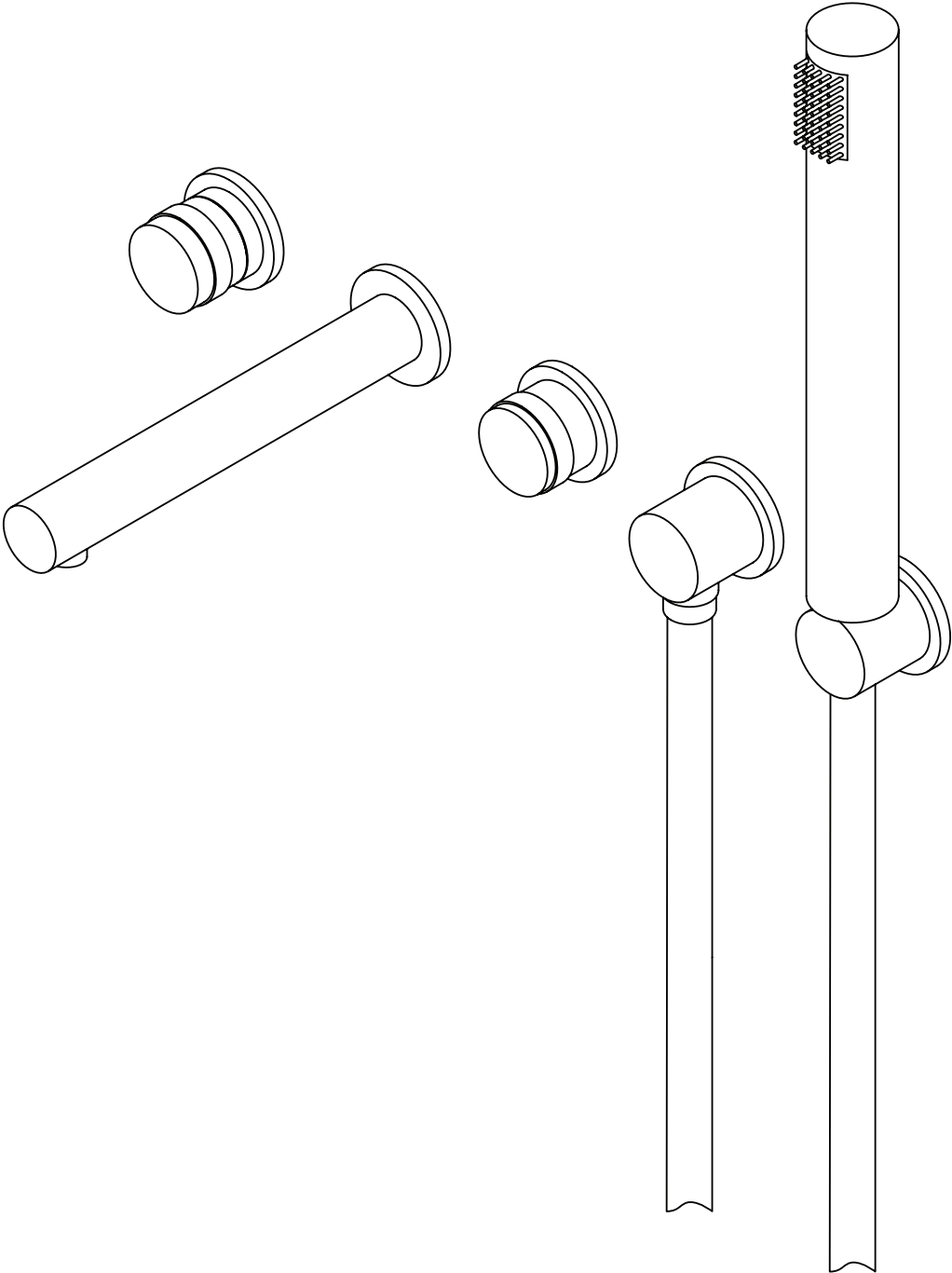


URBAN

SJS203

WALL MOUNTED BATH MIXER SHOWER TAP



EN INSTALLATION AND CARE GUIDE

Please retain for future reference

LUSO

INTRODUCTION

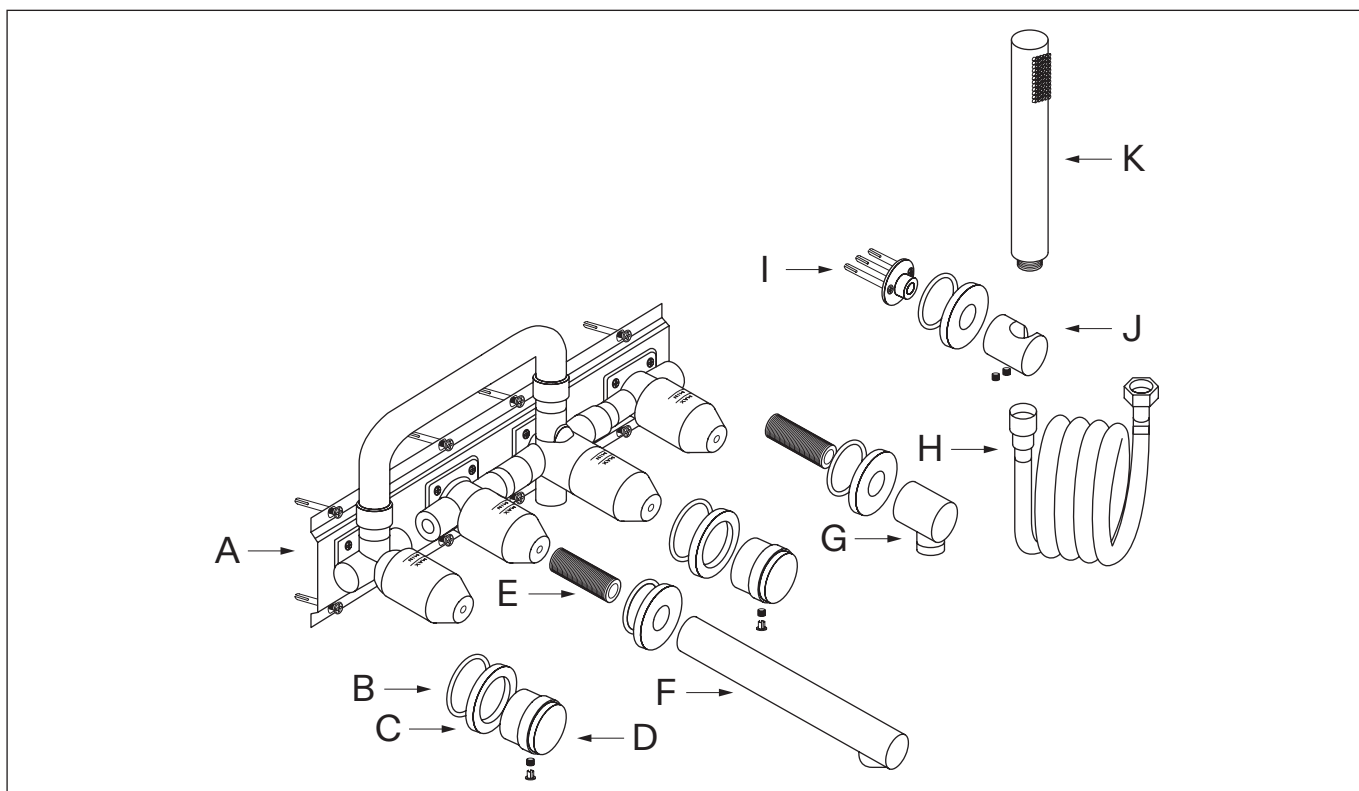
Thank you for purchasing the Urban Wall Mounted Bath Mixer Shower Tap.

Please read this guide carefully before installing, using and cleaning this product, and retain it for future reference. Please also note that this mixer tap has been fully tested before being dispatched, which may mean there is water residue on some of the parts.

If you have any queries in relation to this product or guide, please contact our Customer Service team on 020 3370 4057.

PRODUCT KIT

- | | | | |
|----------|----------------|----------|-----------------|
| A | Body | H | Shower Hose |
| B | O Ring (x5) | I | Flange |
| C | Baseplate (x5) | J | Shower Bracket |
| D | Lever (x2) | K | Handheld Shower |
| E | Connector (x2) | | |
| F | Spout | | |
| G | Elbow | | |



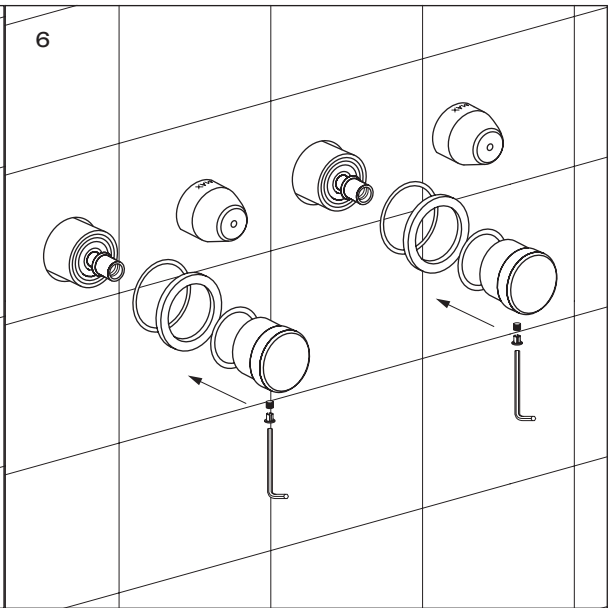
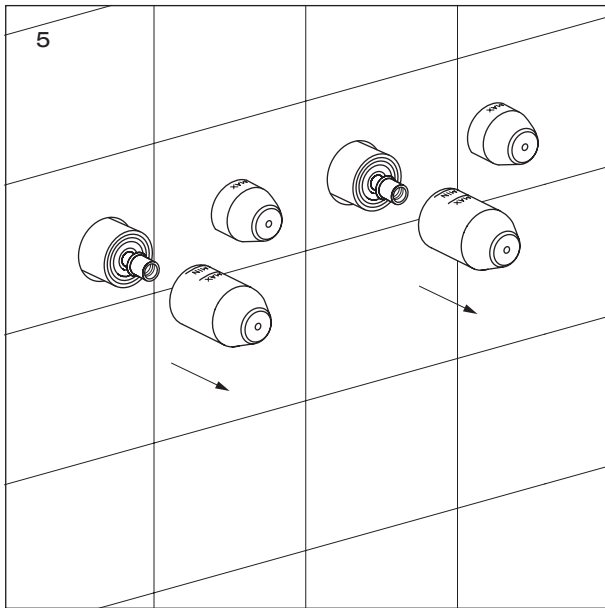
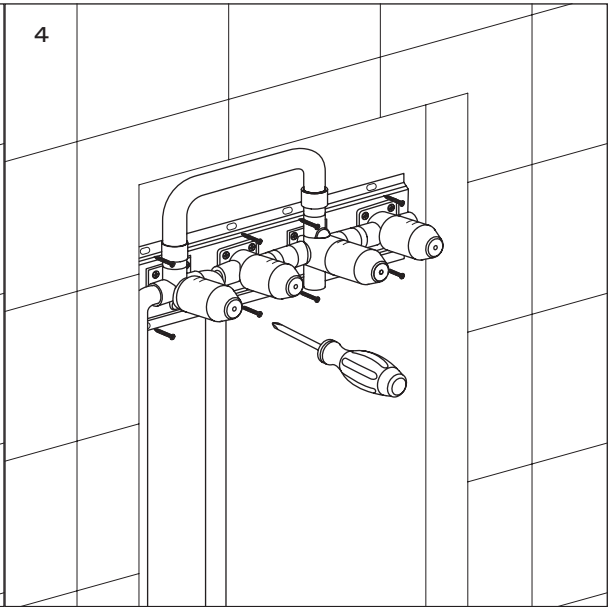
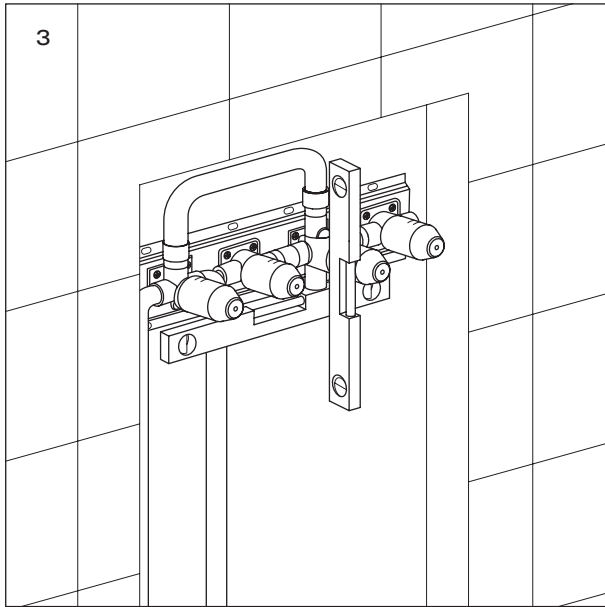
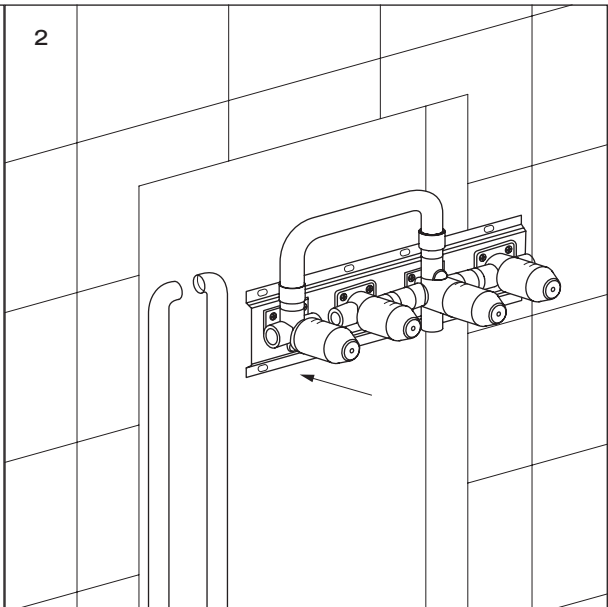
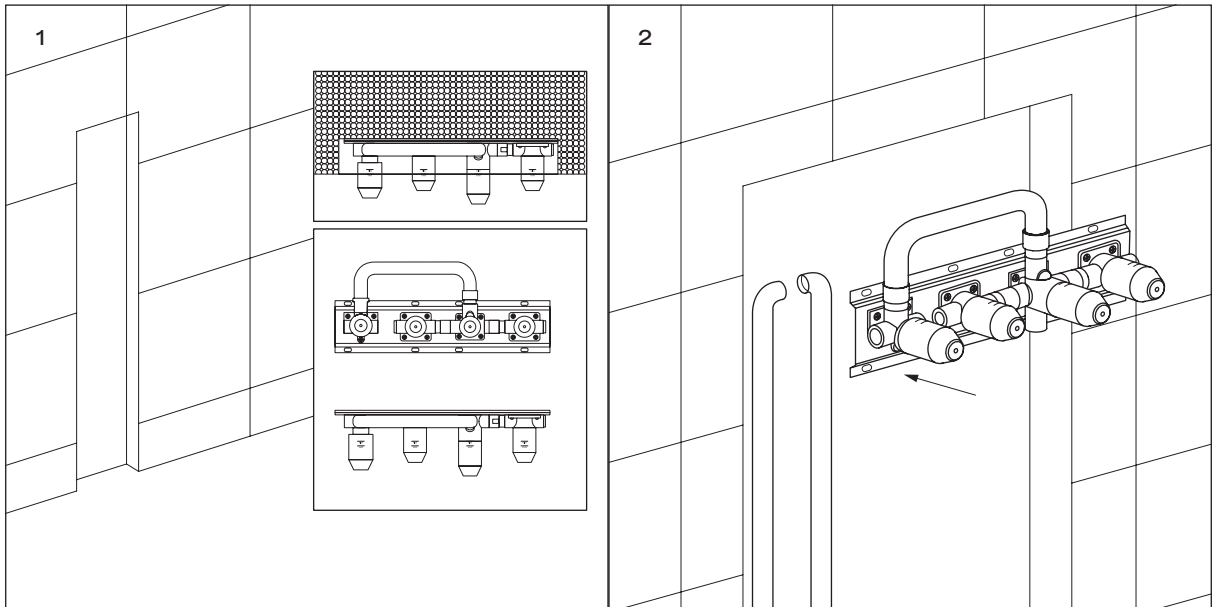
INSTALLATION STEPS

Before installation, please note that this tap is designed for wall mounting only, and we recommend that it is installed by a fully qualified plumber.

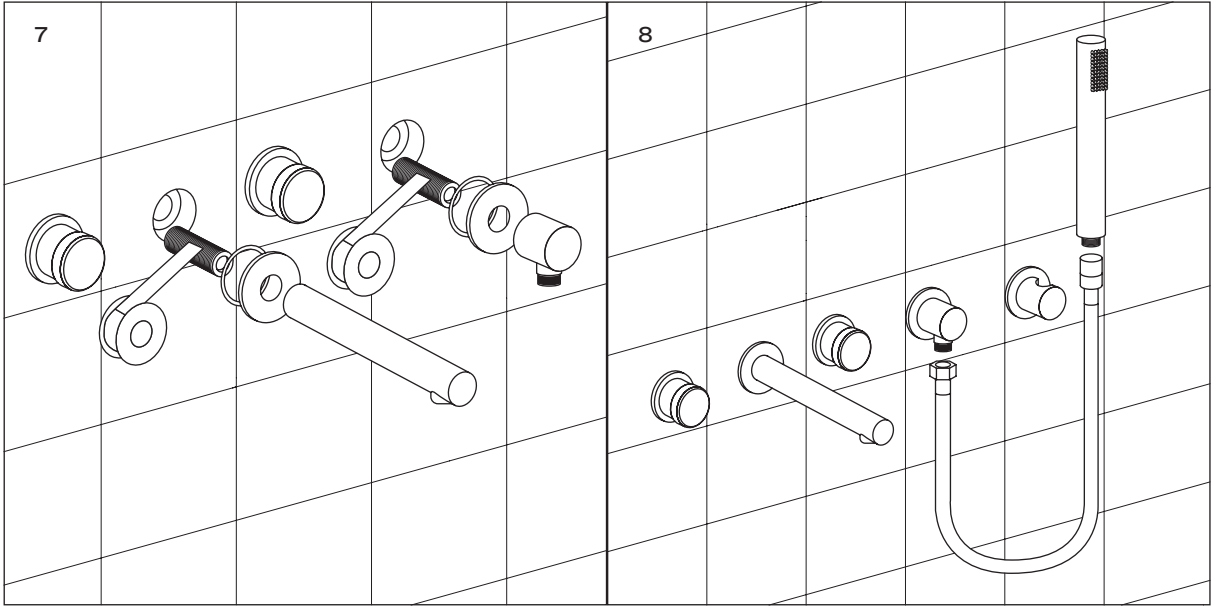
It is suitable for use on all boiler systems including pumped, gravity and combination boilers to a maximum pressure of 5 bar - pressure above this may require the fitting of reducer valves.

Please also note that failure to flush your plumbing system as part of the installation process will void the product guarantee. In addition, you must fully test the product before tiling and/or plastering, etc as Lusso will not be held responsible for any costs involved in the removal of the tap if you find there is a fault.

- 1** Carefully check the dimension drawing and mark the position for the tap before making an opening in the wall for valve installation.
- 2** Next, install the hot and cold pipes and connect them to the valve.
- 3** Ensure that the valve is level.
- 4** Screw the valve into position and turn the mains on to check for any leakages.
- 5** Make sure to leave the protection sleeves on the valve while tiling and/or plastering, then remove when complete.
- 6** Connect the levers to the valve using the provided allen key.
- 7** Connect the spout and shower bracket, making sure to use PTFE tap on the threaded connections.
- 8** After making sure that rubber washers are sitting within the connections of the long hose, use it to connect the handheld shower to the shower bracket.



CONTINUED OVERLEAF



TROUBLESHOOTING

Why is the tap producing hot water when cold is selected, and vice versa?

It's likely that the hot and cold pipes have not been connected the right way around - please check and amend.

There is a leak from the top of the tap - what should I do?

In this instance, the cartridge may have become loose during installation. To tighten it, first turn off the mains, then remove the lever, sleeve and base plate. When you've released the valve, you then need to tighten the brass nut that holds the cartridge in place to create a seal between the cartridge and the valve. Finally, reassemble the tap and turn the mains back on.

What could cause a fluctuating flow rate or low/no flow from the valve?

This may be due to either a blockage in the system, incorrect operating conditions, or a clog in the aerator. To unclog the aerator, simply unscrew it, rinse it with water, and reinstall it - if the problem persists, please consult with a qualified plumber.

How do I replace the cartridge?

Turn off the mains, then remove the lever, sleeve and base plate. When you've released the valve, you need to remove the brass nut, then remove the cartridge and replace it with a new one. Finally, reassemble the tap and turn the mains back on.

CARE INSTRUCTIONS

To clean and maintain the flawless finish of this product, please follow the below instructions. Improper maintenance will void your product guarantee.

✓ Clean with a damp cloth.

✗ Do not use acidic cleansers.

✗ Do not use abrasive cleansers or cloths.

Go to Lusso.com to activate your guarantee.

LUSO

Customer Care: 020 3370 4057

International: +44 20 3370 4057