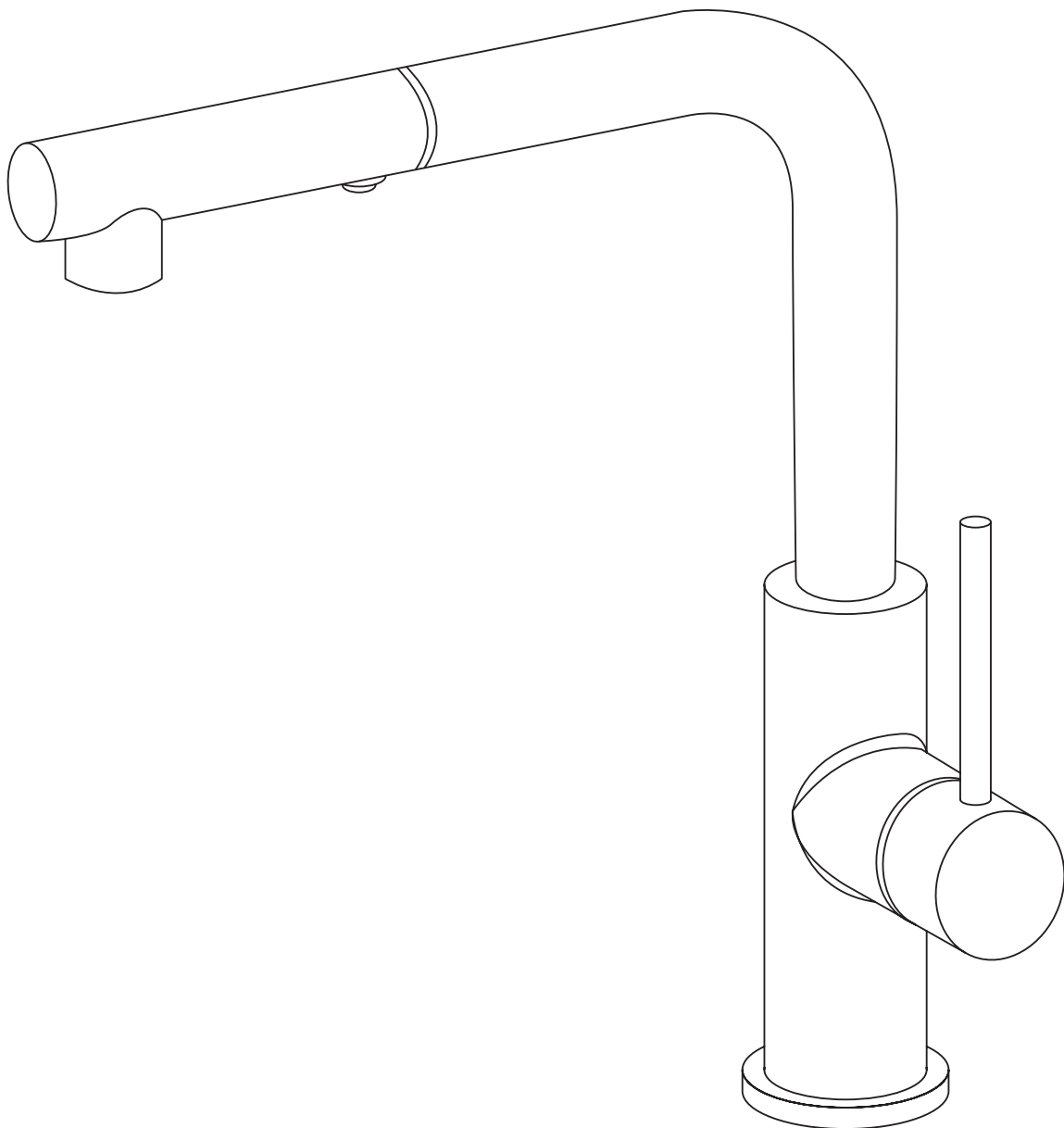


VOGUE

WK323P

PULL OUT SPRAY SWIVEL
KITCHEN TAP



EN
INSTALLATION
AND CARE GUIDE

Please retain for future reference

LUSO

INTRODUCTION

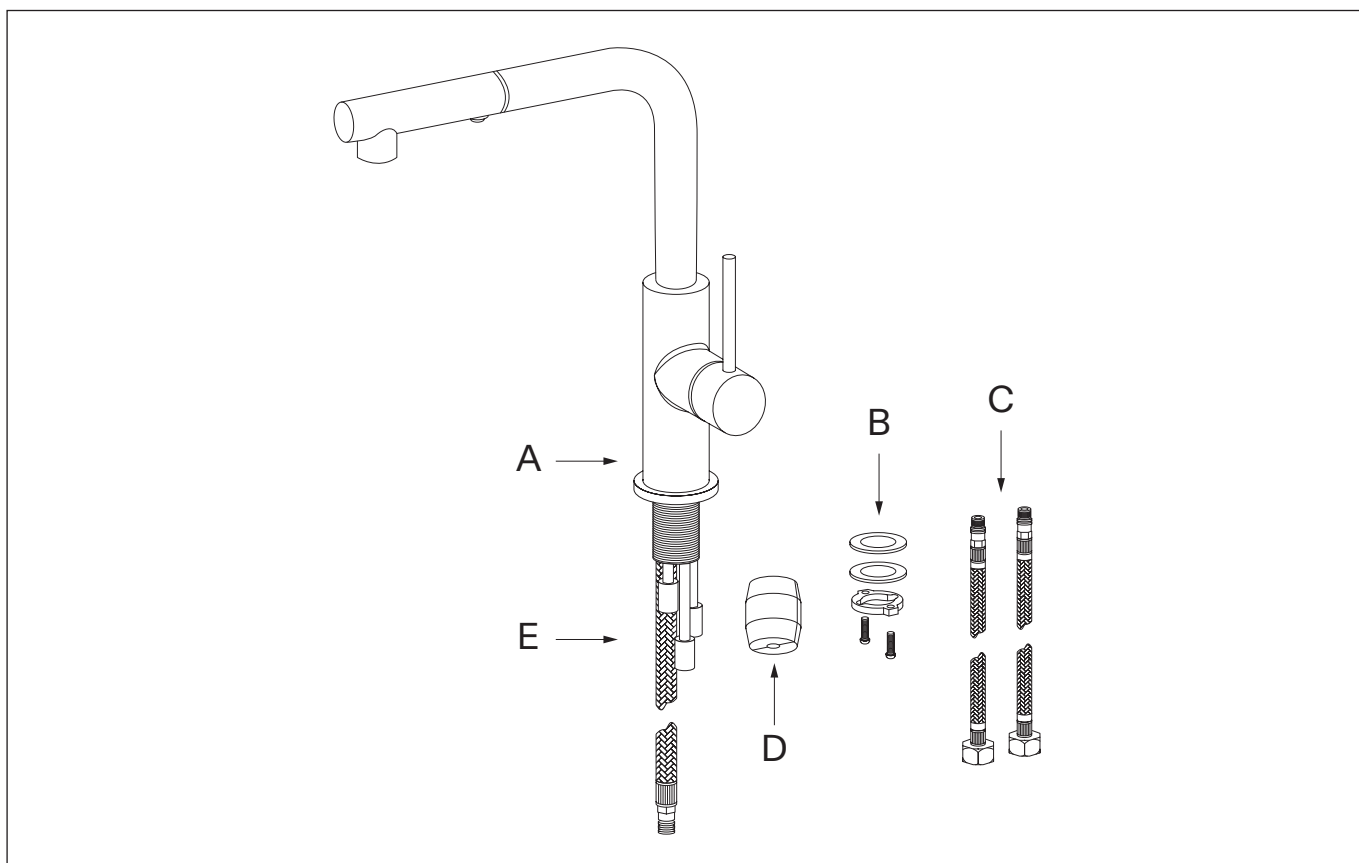
Thank you for purchasing the Vogue Pull Out Spray Swivel Kitchen Tap.

Please read this guide carefully before installing, using and cleaning this product, and retain it for future reference. Please also note that this kitchen tap has been fully tested before being dispatched, which may mean there is water residue on some of the parts.

If you have any queries in relation to this product or guide, please contact our Customer Service team on 020 3370 4057.

PRODUCT KIT

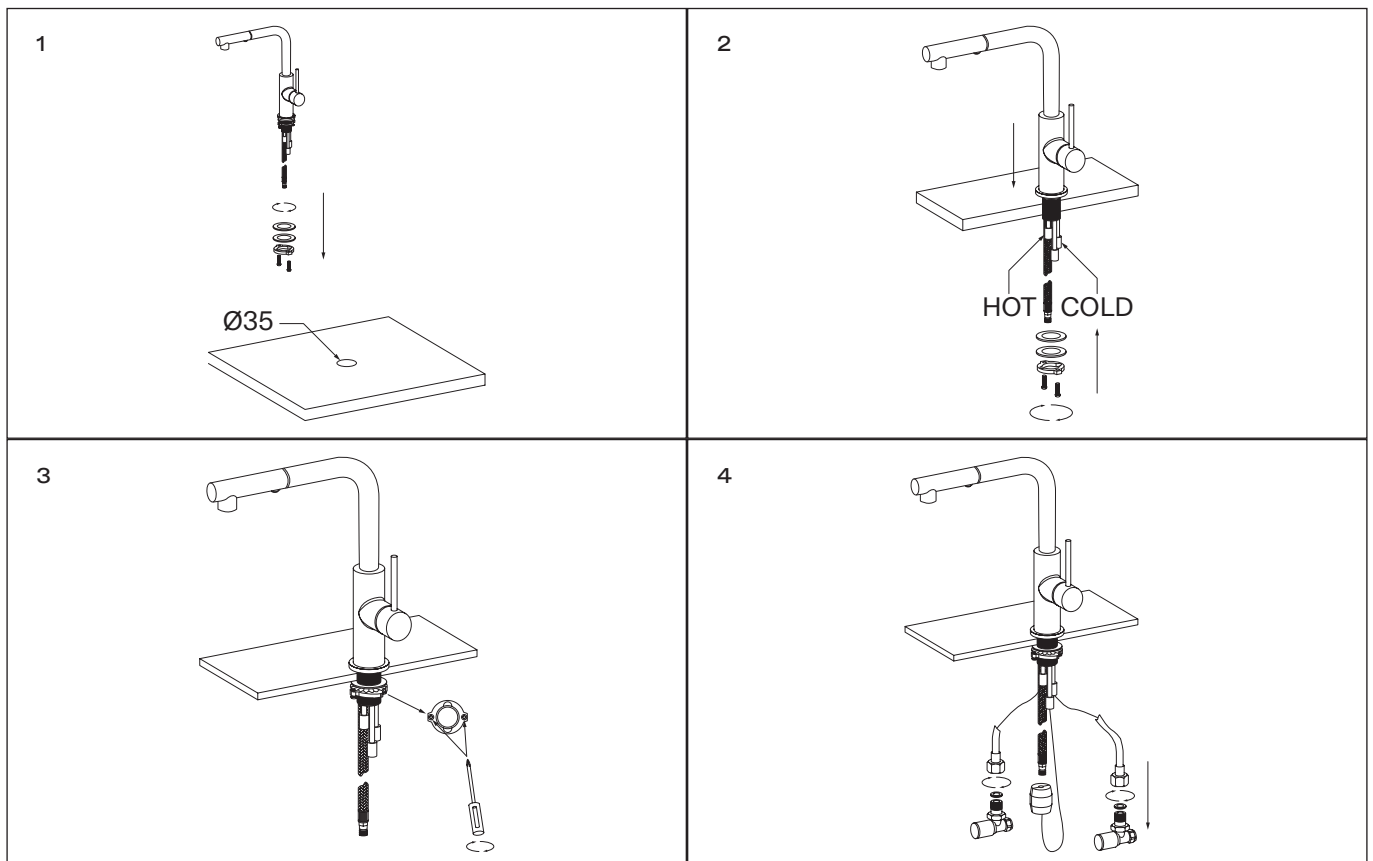
- A Tap
- B Fixings
- C Hot and Cold Pipe (x2)
- D Gravity Ball
- E Flexible Hose



INSTALLATION STEPS

Before installation, please note that this tap is designed for wall mounting only, and we recommend that it is installed by a fully qualified plumber. It is suitable for use on all boiler systems including pumped, gravity and combination boilers to a maximum pressure of 5 bar - pressure above this may require the fitting of reducer valves. Please also note that failure to flush your plumbing system as part of the installation process will void the product guarantee. In addition, you must fully test the product before tiling and/or plastering, etc as Lusso will not be held responsible for any costs involved in the removal of the tap if you find there is a fault.

- 1 Carefully check the dimension drawing and mark the position for the tap. Next, remove the nut and metal washer from the fixing section.
- 2 Sit the tap in place, then slide the metal washer and nut over the fixing thread on the underside of the sink. Install the hot and cold pipes into the main body of the tap, and connect the flexible hose - please ensure to follow the connection marking on the hose.
- 3 Tighten two screws onto the nut, as shown in figure 3.
- 4 Finally, install the gravity ball to the pull out hose, connect the hot and cold pipes to your main water pipes, and test the tap.



TROUBLESHOOTING

Why is the tap producing hot water when cold is selected, and vice versa?

It's likely that the hot and cold pipes have not been connected the right way around - please check and amend.

There is a leak from the top of the tap - what should I do?

In this instance, the cartridge may have become loose during installation. To tighten it, remove the small cap from the lever using the provided allen key, then remove the lever and put it aside. Next, remove the dome shaped part by unscrewing it by hand, then tighten the cartridge fixing nut with an adjustable spanner to create a seal and stop the leak. Once complete, reassemble the tap.

What could cause a fluctuating flow rate or low/no flow from the valve?

This may be due to either a blockage in the system, incorrect operating conditions, or a clog in the aerator. To unclog the aerator, simply unscrew it, rinse it with water, and reinstall it - if the problem persists, please consult with a qualified plumber.

How do I replace the cartridge?

Isolate the water to the tap, remove the small cap from the lever using the provided allen key, then remove the lever and put it aside. Next, remove the dome shaped part by unscrewing it by hand, unscrew and remove the cartridge fixing nut, lift out the cartridge, and replace it with a new one - ensuring that the holes are aligned - before reassembling the tap.

CARE INSTRUCTIONS

To clean and maintain the flawless finish of this product, please follow the below instructions. Improper maintenance will void your product guarantee.

✓ Clean with a damp cloth.

✗ Do not use acidic cleansers.

✗ Do not use abrasive cleansers or cloths.

Go to Lusso.com to activate your guarantee.

LUSO

Customer Care: 020 3370 4057

International: +44 20 3370 4057